

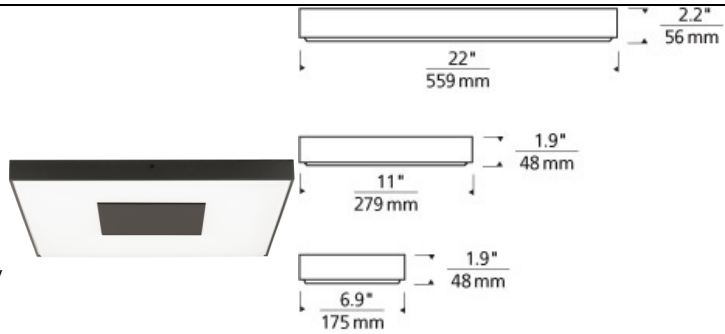
FLUSH & SEMI-FLUSH MOUNT

Wynter Square Flush Mount Ceiling



DESCRIPTION

Modern minimalist design exudes from the versatile and efficient Wynter LED flush mount ceiling light from Tech Lighting. A precisely executed acrylic shade provides an incredibly smooth wash of light as it is intentionally interrupted by negative space in the center of the fixture for visual contrast. Three sizes offer designers the opportunity to address scale in spaces that demand larger solutions. Small includes 21 watt, 404 net lumen, 3000K LED. Medium includes 40 watt, 830 net lumen, 3000K LED. Large includes 60 watt, 1870 net lumen, 3000K LED. Dimmable with low-voltage electronic dimmer. May be wall or ceiling mounted. Suitable for wet locations. ADA compliant.



INSTALLATION

This product can mount to either a 4" square electrical box with round plaster ring or an octagonal electrical box (not included).

WEIGHT

1.93-11.2lb / 0.88-5.08kg ±



antique bronze
small

satin nickel
small

antique bronze
medium

satin nickel
medium

antique bronze
large

ORDERING INFORMATION

700FMWNTS	SHAPE OR SIZE	FINISH	LAMP
L	LARGE	Z ANTIQUE BRONZE	-LED830 LED 80 CRI 3000K 120V
M	MEDIUM	S SATIN NICKEL	-LED830-277 LED 80 CRI 3000K 277V
S	SMALL		



TECH LIGHTING®

7400 Linder Avenue
Skokie, Illinois 60077

T 847.410.4400
F 847.410.4500

Tech Lighting, L.L.C.

700FMWNTS _____

FIXTURE TYPE: _____

JOB NAME: _____

NOTES: _____



©2017 Tech Lighting, L.L.C. All Rights Reserved. The "Tech Lighting" graphic is a registered trademark of Tech Lighting, L.L.C. Tech Lighting reserves the right to change specifications for product improvements without notification.