

LINEAR SUSPENSION

Vandor Linear Suspension LED T20

DESCRIPTION

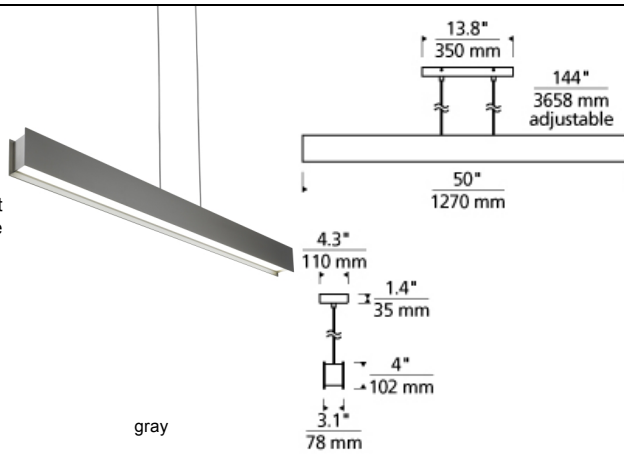
The Vandor linear suspension piece by Tech Lighting features parallel planes of cold rolled steel coated in a matte rubberized paint. Satin Nickel coated end-caps house a recessed LED source that's designed to distribute a significant punch of task lighting onto surfaces below without an uncomfortable glare. The Vandor suspension fixture scales at 50" in length making it ideal for family room lighting, foyer lighting, and a host of residential and commercial lighting applications. Your choice of fully dimmable LED lamping ships with the Vandor saving you both time and money. Includes 49 watts, 3020 delivered lumen, 3000K LED strip. Dimmable with low-voltage electronic dimmer. Ships with twelve feet of matching cloth cord.

INSTALLATION

This product can mount to either a 4" square electrical box with round plaster ring or an octagonal electrical box (not included).

WEIGHT

8-8lb / 3.63-3.63kg ±



gray

white

ORDERING INFORMATION

700LSVAN COLOR	FINISH	LAMP
Y GRAY RUBBERIZED	S SATIN NICKEL	-LED830 LED 80 CRI 3000K 120V
W WHITE RUBBERIZED		-LED830-277 LED 80 CRI 3000K 277V

TECH LIGHTING®
 7400 Linder Avenue T 847.410.4400
 Skokie, Illinois 60077 F 847.410.4500

Tech Lighting, L.L.C.

700LSVAN _____

FIXTURE TYPE: _____

JOB NAME: _____

NOTES: _____
