

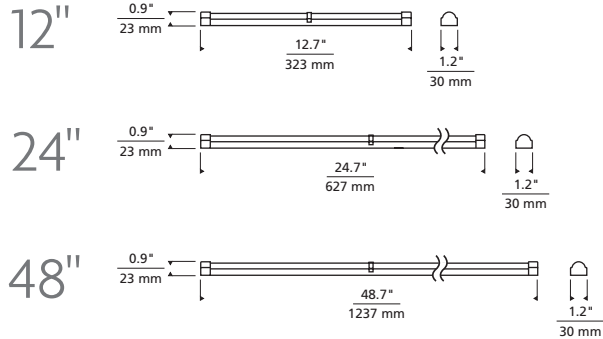
Unilume LED Micro Channel



ALUMINUM
(SHOWN OFF)



ALUMINUM
(SHOWN ON)



DESCRIPTION

Unilume LED Micro Channel was specifically developed for applications where custom length, end-to-end illumination is crucial. Combining on-site length customization with ultra slim housing design and superior light performance makes the Unilume Micro Channel one of the most unique LED products available.

The special co-extruded remote phosphor mixing channel provides a sleek profile while providing impressive general illumination. As an added benefit, it also creates a clean, white look even when turned off. Available in 300 lumens per foot and 600 lumens per foot. Mounted using adhesive tape or screws and optional angled mounting brackets. Each fixture includes a removable powerfeed endcap and a termination endcap.

POWER & DIMMING

Each run is powered by a remote or plug-in 24v DC power supply available in varying wattages based on run length and number of fixtures per system. Units are dimmable using an ELV dimmer to 5-15% depending on dimmer selected. Power supplies and connectors are required and sold separately. Please see accessory page for accessory ordering details.

TECHNICAL SPECIFICATIONS

	12" Length	24" Length	48" Length
System Power:	3.0 watts/300 6.0 watts/600	6.0 watts/300 12.0 watts/600	12.0 watts/300 24.0 watts/600
System Efficacy:	95 lms/watt	95 lms/watt	95 lms/watt
Lumens Per Foot:	300, 600	300, 600	300, 600
Color Temperatures:	2400K, 3000K 3500K, 4000K	2400K, 3000K 3500K, 4000K	2400K, 3000K 3500K, 4000K
Color Rendering Index:	80+	80+	80+
Power Factor:	0.95	0.95	0.95
Input Power:	24V DC	24V DC	24V DC
Dimming:	To 5%-15% Depending on Dimmer	To 5%-15% Depending on Dimmer	To 5%-15% Depending on Dimmer
Warranty:	5 years	5 years	5 years

ORDERING INFORMATION

700UMCD	OUTPUT	LENGTH	CRI/COLOR TEMPERATURE	FINISH
3	300 LMS/FT	01 1'	824 80 CRI / 2400K	A ALUMINUM
6	600 LMS/FT	02 2'	835 80 CRI / 3500K	
		04 4'	840 80 CRI / 4000K	
			930 90 CRI / 3000K	



TECH LIGHTING®

7400 Linder Avenue T 847.410.4400
Skokie, Illinois 60077 F 847.410.4500

www.techlighting.com

700UMCD _____

FIXTURE TYPE: _____

JOB NAME: _____



Unilume LED Micro Channel Accessories

TRANSFORMERS

Whether powered from a junction box or wall outlet, Unilume LED Micro Channel offers a broad selection of remote transformers to power the system. At least one transformer is required to provide power.

TRANSFORMER	INPUT VOLTAGE OUTPUT VOLTAGE WATTAGE TYPE	ITEM NUMBER	COMPATIBLE DIMMER TYPE	MOUNTING TYPE	NOTES
	1 X 120V 24V DC 1 X 60 WATTS NO LOAD ELECTRONIC DC	700AT0624EL	LOW-VOLTAGE ELECTRONIC 450 WATTS	REMOTE	
	1 X 120V 24V DC 1 X 150 WATTS NO LOAD ELECTRONIC DC	700AT1524EL	LOW-VOLTAGE ELECTRONIC 600 WATTS	REMOTE	
	1 X 120V 24V DC 1 X 30 WATTS NO LOAD ELECTRONIC DC PLUG-IN	BLACK: 700AT0324ELPB WHITE: 700AT0324ELPW	LOW-VOLTAGE ELECTRONIC 450 WATTS	WALL PLUG-IN	INTEGRATED 3 PRONG PLUG: INCLUDES THE TRANSFORMER 3' OF LEADS FOR CONNECTION TO POWERFEED
	1 X 120V 24V DC 1 X 60 WATTS NO LOAD ELECTRONIC DC PLUG-IN	BLACK: 700AT0624ELPB WHITE: 700AT0624ELPW	LOW-VOLTAGE ELECTRONIC 450 WATTS	WALL PLUG-IN	INTEGRATED 3 PRONG PLUG: INCLUDES THE TRANSFORMER 3' OF LEADS FOR CONNECTION TO POWERFEED

POWER FEED CABLE

Required to get power from the transformer to the Unilume LED Micro Channel system.

700UMCPF	LENGTH	FINISH
	06 6'	A ALUMINUM
	12 12'	

FEMALE TO FEMALE CONNECTOR

Joins two Jumper Connectors together to create extended runs or custom lengths.

700UMCFC	FINISH
	A ALUMINUM

T-CONNECTOR

Used to join three fixtures together in a T configuration.

700UMCTC	FINISH
	A ALUMINUM

JUMPER CONNECTORS

When systems need to be extended or change direction, Jumper Connectors allow Unilume LED Micro Channel units to be connected together over longer distances. 3"-24" jumpers include power feed endcap.

700UMCJC	LENGTH	FINISH
	01 1"	A ALUMINUM
	03 3"	
	06 6"	
	12 12"	
	24 24"	

L-CONNECTOR

Used to join two fixtures together while forming a 90 degree angle.

700UMCLC	FINISH
	A ALUMINUM

MOUNTING BRACKETS

Used to mount units at an angle to create the desired lighting effect. Come in a set of 4 to be used every 2 feet.

700UMCMB	ANGLE	FINISH
	30 30° ANGLED MOUNTING BRACKETS	A ALUMINUM
	45 40° ANGLED MOUNTING BRACKETS	
	90 90° ANGLED MOUNTING BRACKETS	



TECH LIGHTING®

7400 Linder Avenue T 847.410.4400
Skokie, Illinois 60077 F 847.410.4500

www.techlighting.com

