

Offering an inviting and open cylindrical silhouette with decorative fins evenly spaced around the circumference, the Turbo LED wall sconce adds a modern aesthetic to any façade. Mounting options enable the fixture to be mounted in three different height positions relative to the back plate position to meet a variety of installation needs and aesthetic preferences.

### High quality LM80-tested LEDs

for consistent long-life performance and color

### Outstanding protection against the elements:

- Marine-grade powder coat finishes
- Stainless Steel mounting hardware
- Impact-resistant, UV stabilized frosted acrylic lensing

### Three-position mounting option allows variable height adjustment to back plate

## SPECIFICATIONS

DELIVERED LUMENS	598
WATTS	15.7
VOLTAGE	Universal 120-277V, with integral transient 2.5kV surge protection (driver)
DIMMING	0-10, ELV
LIGHT DISTRIBUTION	Symmetric
OPTICS	40°
MOUNTING OPTIONS	3-Position Variable Height
PERFORMANCE OPTIONS	Photocontrol / In-Line Fuse / Surge Protector
CCT	3000K or 4000K
CRI	80+
COLOR BINNING	3 Step
BUG RATING	B1-U2-G0
DARK SKY	Compliant
WET LISTED	IP65
GENERAL LISTING	ETL, Title 24
START TEMP	-30°C
FIELD SERVICEABLE LED	Yes
CONSTRUCTION	Aluminum
HARDWARE	Stainless Steel
FINISH	Marine Grade Powder Coat
LED LIFETIME	L70; 70,000 Hours
WARRANTY*	5 Years

\* Visit [techlighting.com](http://techlighting.com) for specific warranty limitations and details.



TURBO WALL  
shown in bronze

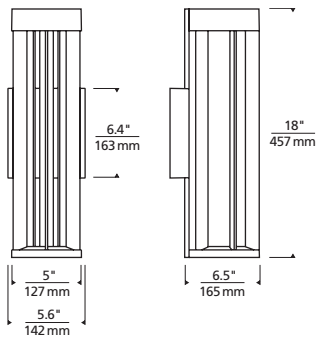


TURBO WALL  
shown in charcoal

## ORDERING INFORMATION

700OWTUR	CRI/CCT	LENGTH	LENS	FINISH	VOLTAGE	DISTRIBUTION	OPTIONS
830	80 CRI, 3000K	18 18"	C CLEAR FLAT	Z BRONZE	UNV 120V-277V	S SYMMETRIC	NONE
840	80 CRI, 4000K			H CHARCOAL			PC BUTTON PHOTOCONTROL
							LF IN-LINE FUSE
							SP SURGE PROTECTION
							PCLF BUTTON PHOTOCONTROL & IN-LINE FUSE
							PCSP BUTTON PHOTOCONTROL & SURGE PROTECTION
							LFSP IN-LINE FUSE & SURGE PROTECTION
							PCLFSP BUTTON PHOTOCONTROL, IN-LINE FUSE & SURGE PROTECTION

# TURBO WALL SCNCE



Turbo Sconce



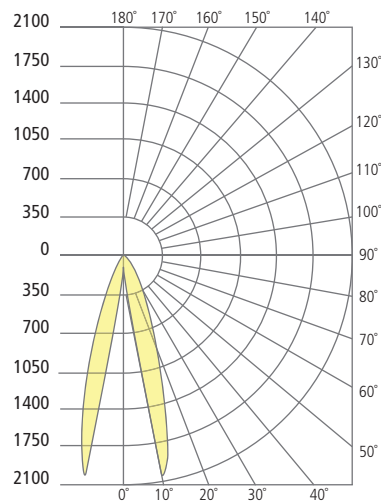
Integrated height adjustment system allows you to customize your fixture position. Low, Mid or High.

## PHOTOMETRICS\*

\*For latest photometrics, please visit [www.techlighting.com/OUTDOOR](http://www.techlighting.com/OUTDOOR)

### TURBO WALL

Total Lumen Output: 598  
 Total Power: 15.7  
 Luminaire Efficacy: 37.8  
 Color Temp: 3000K  
 CRI: 80+  
 BUG Rating: B1-U2-G0



## PROJECT INFO

FIXTURE TYPE & QUANTITY

JOB NAME & INFO

NOTES

---



---



---



---



---



---



© 2016 Tech Lighting, L.L.C. All rights reserved. The "Tech Lighting" graphic is a registered trademark of Tech Lighting, L.L.C. Tech Lighting reserves the right to change specifications for product improvements without notification.



GENERATION BRANDS  
 7400 Linder Avenue, Skokie, Illinois 60077  
 T 847.410.4400 F 847.410.4500