

# Flexible Power Feed with 4" Round Canopy

tt\_4in\_rd\_flex\_pfcpy\_spec.pdf



Shown approximately 10% actual size.

## DESCRIPTION

Flexible power feeds with canopy bring power from a ceiling or wall mounted junction box to the Single-Circuit T~TRAK™ when the junction box is not located directly above or at the end of the track. Each includes 12' of field-cutable flexible conduit. Available in two styles: center feed can be used to power the track anywhere within the run; end feed powers the track from the end of the run. **For projects designed to meet energy efficiency standards determine the maximum amperage required on the circuit and specify the correct current limiter.**

## INSTALLATION

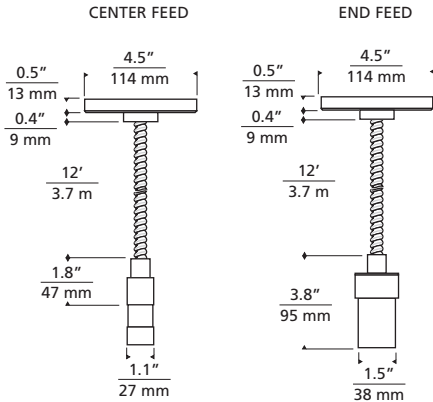
This product can mount to either a 4" square electrical box with round plaster ring or an octagon electrical box (not included).

## FINISH

Satin nickel, white.

## WEIGHT

4.00 lb./1.80 kg. ±



## ORDERING INFORMATION

TYPE	FINISH	CURRENT LIMITER
700TTP4C	S SATIN NICKEL	WITHOUT
CEN CENTER FEED	W WHITE	-2 2.5 AMP
END END FEED		-4 4 AMP
		-6 6 AMP
		-8 8 AMP
		-10 10 AMP
		-12 12 AMP
		-14 14 AMP
		-16 16 AMP
		-18 18 AMP

# T~TRAK

7400 Linder Avenue T 847.410.4400  
 Skokie, Illinois 60077 F 847.410.4500

www.ttraklighting.com

700TTP4C \_\_\_\_\_

FIXTURE TYPE: \_\_\_\_\_

JOB NAME: \_\_\_\_\_