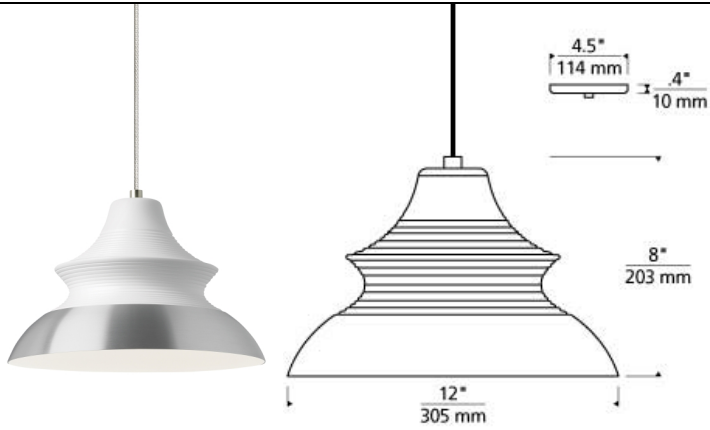


Togan Line-Voltage Pendant LED T20

DESCRIPTION

The Togan Line-Voltage Pendant light by Tech Lighting features a unique design that echoes a large-scale hand-spun pottery ring. The symmetrical design and spun metal shade make this piece a true work of art that is sure to stand out in any space. Its spun metal shade is offered in fully and partially painted variations and includes a white cloth cord to complete the contemporary look. Scaling at 8" in length and 12" in width the Togan is ideal for dining room lighting, hallway lighting and kitchen island task lighting. Also available from Tech Lighting is the smaller scale Togan Pendant, to find the Togan Grande Pendant simply search for the Togan Line-Voltage Pendant to find its nearest relatives. This fixture does ship no-lamp providing you the option to light this fixture with your preferred lamping. No lamp rated for (1) 75 watt max. E26 medium base lamp (Lamp Not Included). LED includes (1) E26 medium base 10 watt 800 lumens 90 CRI 2700K LED A19 lamp. Dimmable with most LED compatible ELV and TRIAC dimmers. Includes six of field-cuttable cloth cord.



WEIGHT

1.5-1.5lb / 0.68-0.68kg ±



white/aluminum

ORDERING INFORMATION

700 SYSTEM **TOG**

COLOR

LAMP

TD LINE-VOLTAGE PENDANTS/SUSPENSION

WA WHITE/ALUMINUM

NO LAMP

-LED927 A19 LED 90 CRI 2700K 120V (T20/T24)



TECH LIGHTING®

7400 Linder Avenue
Skokie, Illinois 60077

T 847.410.4400
F 847.410.4500

Tech Lighting, L.L.C.

700 ____ TOG ____ ____

FIXTURE TYPE: _____

JOB NAME: _____

NOTES: _____



©2019 Tech Lighting, L.L.C. All Rights Reserved. The "Tech Lighting" graphic is a registered trademark of Tech Lighting, L.L.C. Tech Lighting reserves the right to change specifications for product improvements without notification.