

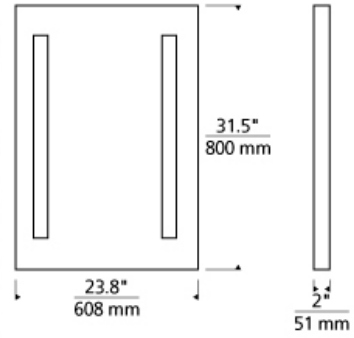
BATH COLLECTION

TL Reflection Mirror



DESCRIPTION

The Reflection Mirror light by Tech Lighting elevates the classic mirror into a beautiful lighted mirror capable of both ambient and general illumination lighting. Embedded sidelights, securely hidden behind the frosted glass, provide soft lighting in any space. The Reflections Mirror adds simple sophistication to bathroom spaces and can be adapted to powder room lighting as well as master bathroom lighting. Further enhance the Reflection mirror by adding a unique trim or mold casing. Your choice of energy efficient lamping includes fluorescent and integrated LED, both lamping options are fully dimmable to create the desired ambiance in your special space. Incandescent version includes two 24 watt mini bi-pin base T5HO lamps and electronic ballast. LED version includes two 20 watt, 1100 lumen, 3000K LED module. ADA compliant.



INSTALLATION

See detailed instructions for Reflection at tiella.com.



tl reflection mirror

ORDERING INFORMATION

700VNRFL LAMP

- LED830 LED 80 CRI 3000K 120V
- LED830-277 LED 80 CRI 3000K 277V



TECH LIGHTING®

7400 Linder Avenue T 847.410.4400
 Skokie, Illinois 60077 F 847.410.4500

Tech Lighting, L.L.C.

700VNRFL _____
FIXTURE TYPE: _____
JOB NAME: _____
NOTES: _____



©2018 Tech Lighting, L.L.C. All Rights Reserved. The "Tech Lighting" graphic is a registered trademark of Tech Lighting, L.L.C. Tech Lighting reserves the right to change specifications for product improvements without notification.