

Timbre Linear Suspension

LED T20

DESCRIPTION

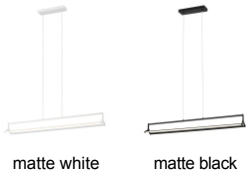
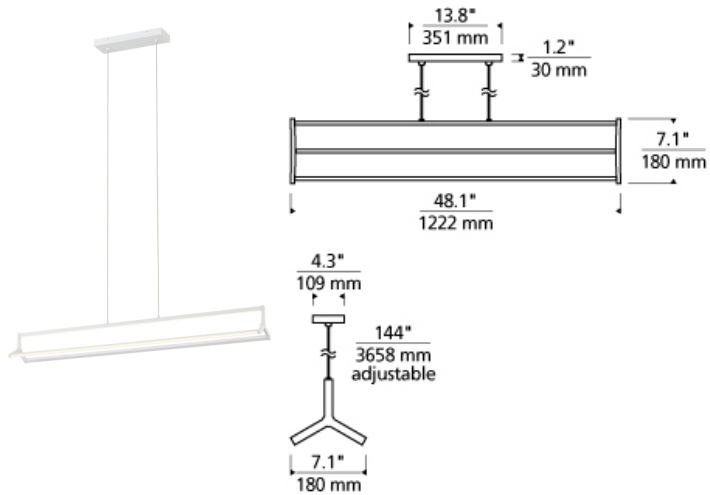
The Timbre Linear by Tech Lighting is a deconstructed modern take on a traditional linear suspension. This sleek and minimized structure emphasizes long beautiful lines of pure light. Each triangular arm features diffused acrylic-lensed LED's for a pleasant lighting experience. This modern linear fixture is available in your choice of two on-trend finish options, matte white and matte black. The Timbre can carry into other areas of your space as this collection is available as a pendant, linear and wall sconce. The integrated acrylic-lensed LED lamps are fully dimmable to create the desired ambiance using a low-voltage ELV or Triac dimmer. Includes 90 watt, 5538 delivered lumens, 3000K, 90 CRI LED linear modules. Dimmable with low-voltage electronic dimmer. Ships with twelve feet of field cuttable cable.

INSTALLATION

This product can mount to either a 4" square electrical box with round plaster ring or an octagonal electrical box (not included).

WEIGHT

7-7.5lb / 3.18-3.4kg ±



ORDERING INFORMATION

700LSTMB FINISH

B MATTE BLACK
W MATTE WHITE

LAMP

-LED930 LED 90 CRI 3000K 120V
-LED930-277 LED 90 CRI 3000K 277V



Tech Lighting, L.L.C.

700LS TMB _____
FIXTURE TYPE: _____
JOB NAME: _____
NOTES: _____



©2018 Tech Lighting, L.L.C. All Rights Reserved. The "Tech Lighting" graphic is a registered trademark of Tech Lighting, L.L.C. Tech Lighting reserves the right to change specifications for product improvements without notification.