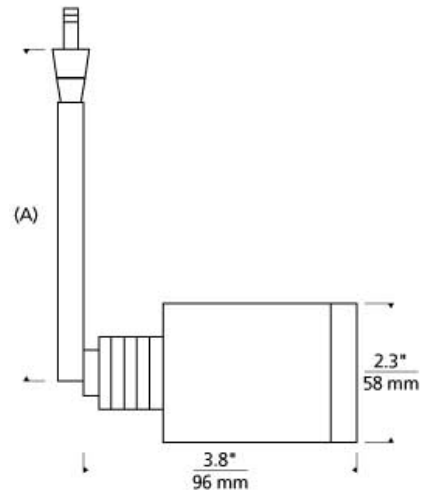


LOW - VOLTAGE HEADS

Tellium Head LED T20

DESCRIPTION

The Tellium display head by Tech Lighting combines design simplicity with practical technology. The simple display head puts light where you need it by allowing for a full 360° head rotation and 90° pivot to direct light beam to the desired location. The Tellium head is available in two on-trend finishes and can be customized to hang at four distinct stem lengths. Further customize the Tellium by combining it with the complementary Monorail or Monopoint systems by Tech Lighting. This low-voltage display head is ideal commercial lighting applications such as retail stores, libraries and galleries. Ships with an integrated lens holder to accommodate two dimmable MR16-size Glass Lenses or Eggcrate Louvers (both sold separately). Machined aluminum and brass housings create crisp edges. Head rotates 360°; pivots 90° to direct the beam. Integrated lens holder accommodates up to two lenses or louvers (sold separately). Accepts low-voltage, MR16 lamp of up to 50 watts (not included).



INSTALLATION

Socket terminates with FreeJack male connector, which may be installed into a system connector. Elements ordered with a system prefix include a connector for that system.

ACCESSORIES & OPTICAL CONTROLS

Eggcrate Louver

WEIGHT

1.03lb / 0.47kg ±



satin nickel



aged brass



antique bronze

ORDERING INFORMATION

700 SYSTEM	TLM	LENGTH (A)	FINISH	LAMP
FJ	FREEJACK	03 3"	R AGED BRASS	NO LAMP
MP	MONOPOINT	06 6"	Z ANTIQUE BRONZE	NO LAMP
MO	MONORAIL	12 12"	S SATIN NICKEL	
MO2	TWO-CIRCUIT MONORAIL	18 18"		

Note. MP includes 4" Round Flush Canopy. Aged Brass is not available for Two-Circuit Monorail.



TECH LIGHTING®
 7400 Linder Avenue T 847.410.4400
 Skokie, Illinois 60077 F 847.410.4500

Tech Lighting, L.L.C.

700 ____ TLM ____

FIXTURE TYPE: _____

JOB NAME: _____

NOTES: _____

