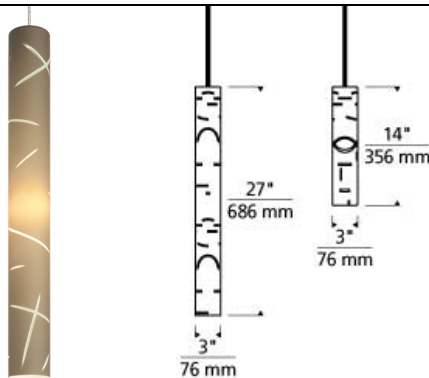


LOW - VOLTAGE PENDANTS

Talisma Pendant LED SORAA T20

DESCRIPTION

Each Talisma pendant light from Tech Lighting is comprised of three distinct layers of glass hand made by extraordinarily talented artisans in Venice, Italy. First, molded transparent clear glass forms the base layer, then frosted white glass envelops the base and finally, the top layer of your choice of white, smoke or black glass is applied. To add deep dramatic impact, each shade is then hand carved to reveal the transparent glass hidden within, allowing light from optional LED or Halogen lamping to escape the shade in unique, visually alluring patterns. The graduated 14" and 27" size options are balanced by each elongated cylinder's small 3" diameter to create impactful accent lighting - Use with Tech Lighting Monorail over a kitchen island or dining table or combine both sizes using Tech Lighting Freejack Canopy systems to create a custom chandelier perfect for your special dining or living space. Includes low-voltage, 50 watt, halogen bi-pin lamp or 8 watt, 300 delivered lumen, 3000K, replaceable SORAA LED module. Fixture provided with six feet of field-cuttable cable. Works with SORAA.

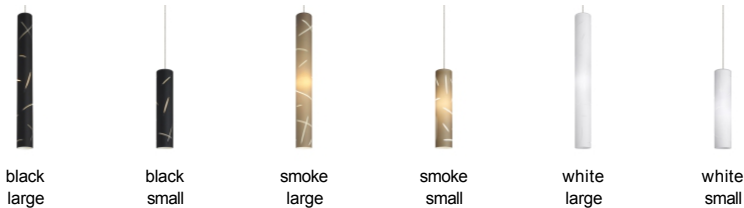


INSTALLATION

Socket terminates with FreeJack male connector, which may be installed into a system connector. Elements ordered with a system prefix include a connector for that system. For use on T~TRAK, order FreeJack version and T~TRAK FreeJack Connector (sold separately).

WEIGHT

2.5-2.5lb / 1.13-1.13kg ±



ORDERING INFORMATION

700	SYSTEM	TLS	SHAPE OR SIZE	COLOR	FINISH	LAMP
FJ	FREEJACK		L LARGE	B BLACK	Z ANTIQUE BRONZE	12 VOLT HALOGEN (T20)
MP	MONOPOINT		S SMALL	K SMOKE	C CHROME	-LEDS930 12 VOLT LED 90 CRI 3000K (T20/T24)
MO	MONORAIL			W WHITE	S SATIN NICKEL	-24 24 VOLT HALOGEN
MO2	TWO-CIRCUIT MONORAIL					

Note: Note: MP includes 4" Round Flush Canopy.

Note: Chrome not offered on Monorail & Two~Circuit Monorail.



700 ____ TLS _____

FIXTURE TYPE: _____

JOB NAME: _____

NOTES: _____
