

# LOW - VOLTAGE PENDANTS

## Summit Pendant

### DESCRIPTION

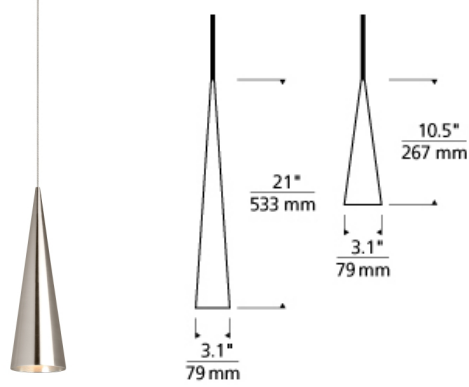
Sleek metal cone, available in large and small versions and three finishes. Small and Large include low-voltage, 35 watt MR16 lamp or replaceable 6 watt, 435 delivered lumen, 3000K replaceable SORAA LED MR16 lamp. Ships with six feet of field-cuttable cable. Works with SORAA.

### INSTALLATION

Socket terminates with FreeJack male connector, which may be installed into a system connector. Elements ordered with a system prefix include a connector for that system.

### ACCESSORIES & OPTICAL CONTROLS

Swag Hook



### ORDERING INFORMATION

700	SYSTEM	SUM	SHAPE OR SIZE	FINISH	LAMP
FJ	FREEJACK		L LARGE	B BLACK	12 VOLT HALOGEN
MP	MONOPOINT		S SMALL	S SATIN NICKEL	-LED930 12 VOLT LED 90 CRI 3000K
MO	MONORAIL			W WHITE	-LED930 12 VOLT LED 90 CRI 3000K
MO2	TWO-CIRCUIT MONORAIL				-24 24 VOLT HALOGEN

Note: Note: MP includes 4" Round Flush Canopy.



**TECH LIGHTING®**  
 7400 Linder Avenue T 847.410.4400  
 Skokie, Illinois 60077 F 847.410.4500  
**Tech Lighting, L.L.C.**

700 \_\_\_\_ SUM \_\_\_\_

FIXTURE TYPE: \_\_\_\_\_

JOB NAME: \_\_\_\_\_

NOTES: \_\_\_\_\_

\_\_\_\_\_

\_\_\_\_\_