

The Strut LED bollard exemplifies the epitome of a modern, minimalist aesthetic. The clean lines and modern design can effortlessly disappear into the setting or be positioned to make a bold statement. A singular line of LED down light with controlled Type II distribution is ideal for outdoor path and campus illumination.

High quality LM80-tested LEDs

for consistent long-life performance and color

Outstanding protection against the elements:

- Marine-grade powder coat finishes
- Stainless Steel mounting hardware
- Impact-resistant, UV stabilized frosted acrylic lensing

Type II asymmetric light distribution

SPECIFICATIONS

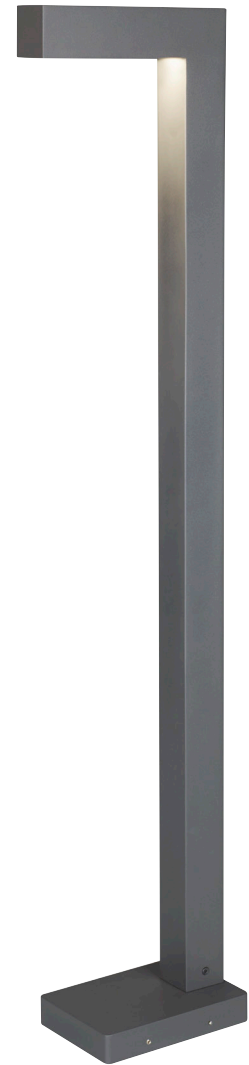
DELIVERED LUMENS	1312
WATTS	19.3
VOLTAGE	Universal 120-277V, with integral transient 2.5kV surge protection (driver)
SECONDARY SURGE PROTECTOR	10kA
DIMMING	0-10, ELV
LIGHT DISTRIBUTION	Type II
MOUNTING OPTIONS**	Bolt
PERFORMANCE OPTIONS	Photocontrol / In-Line Fuse
CCT	3000K or 4000K
CRI	80+
COLOR BINNING	3 Step
BUG RATING	B1-U1-G1
DARK SKY	Compliant
WET LISTED	IP65
GENERAL LISTING	ETL, Title 24
START TEMP	-30°C
FIELD SERVICEABLE LED	Yes
CONSTRUCTION	Aluminum
HARDWARE	Stainless Steel
FINISH	Marine Grade Powder Coat
LED LIFETIME	L70; 70,000 Hours
WARRANTY*	5 Years

* Visit techlighting.com for specific warranty limitations and details.

**Bollard base not suitable for branch circuit through wiring.



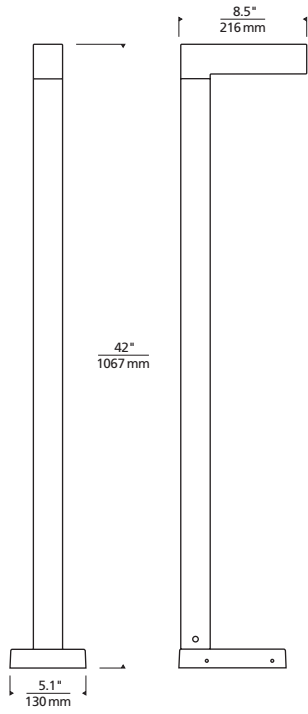
STRUT BOLLARD
shown in bronze



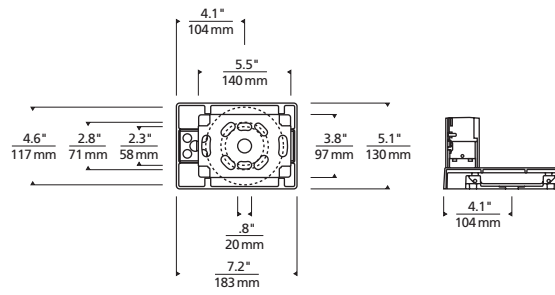
STRUT BOLLARD
shown in charcoal

ORDERING INFORMATION

700OBSTR	CRI/CCT	LENGTH	LENS	FINISH	VOLTAGE	DISTRIBUTION	OPTIONS
830	80 CRI, 3000K	42 42"	C FLAT CLEAR	Z BRONZE	UNV 120V-277V	2 TYPE 2 DISTRIBUTION	NONE
840	80 CRI, 4000K			H CHARCOAL			PC BUTTON PHOTOCONTROL LF IN-LINE FUSE PCLF BUTTON PHOTOCONTROL & IN-LINE FUSE



Strut Bollard



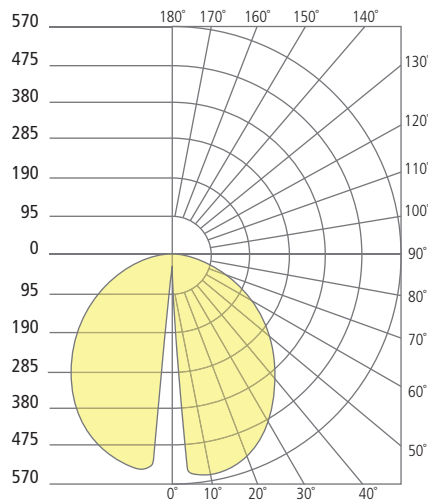
Anchor Plate Bolt Pattern

PHOTOMETRICS*

*For latest photometrics, please visit www.techlighting.com/OUTDOOR

STRUT BOLLARD

- Total Lumen Output: 1312
- Total Power: 19.3
- Luminaire Efficacy: 67.7
- Color Temp: 4000K
- CRI: 80+
- BUG Rating: B1-U1-G1



PROJECT INFO

FIXTURE TYPE & QUANTITY

JOB NAME & INFO

NOTES
