

BATH COLLECTION

Solace Bath



DESCRIPTION

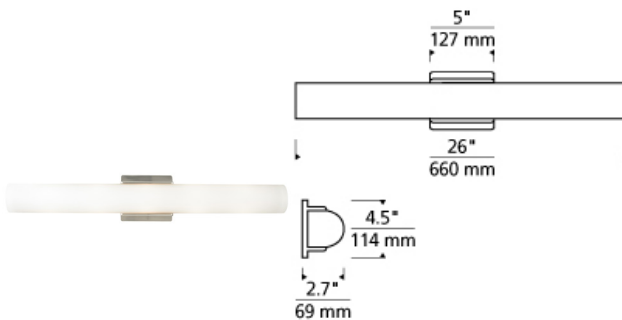
Clean frosted glass on a minimal metal base. Provides task and ambient light. May be mounted vertically or horizontally. Incandescent includes five 120 volt 40 watt G9 base halogen lamps; fluorescent includes two 24 watt T5 high output linear fluorescent lamps and electronic ballast. Incandescent version dimmable with standard incandescent dimmer. ADA compliant.

INSTALLATION

This product can mount to either a 4" square electrical box with round plaster ring or an octagonal electrical box. May also be mounted vertically. For wall mount use only.

WEIGHT

7-7.5lb / 3.18-3.4kg ±



white



white

ORDERING INFORMATION

700BCSLC26W COLOR	FINISH	LAMP
WHITE	Z ANTIQUE BRONZE C CHROME S SATIN NICKEL	INCANDESCENT 120V (T20) -CF FLUORESCENT 120V -CF277 FLUORESCENT 277V



TECH LIGHTING®
 7400 Linder Avenue T 847.410.4400
 Skokie, Illinois 60077 F 847.410.4500
Tech Lighting, L.L.C.

700BCSLC26W _____

FIXTURE TYPE: _____

JOB NAME: _____

NOTES: _____



©2018 Tech Lighting, L.L.C. All Rights Reserved. The "Tech Lighting" graphic is a registered trademark of Tech Lighting, L.L.C. Tech Lighting reserves the right to change specifications for product improvements without notification.