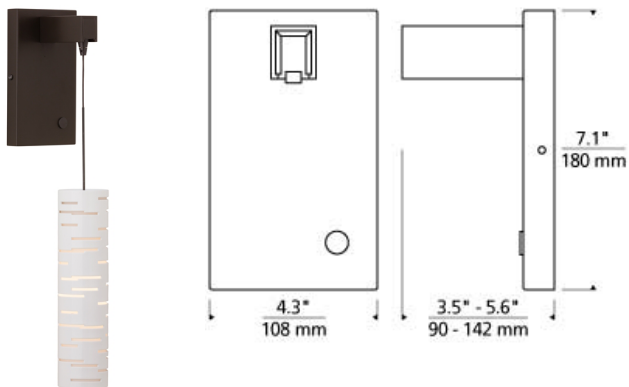


W A L L C O L L E C T I O N

Siena Wall T20

DESCRIPTION

The Siena wall sconce by Tech Lighting is a simple and ultra-convenient way to convert virtually any Tech Lighting low-voltage Free Jack pendant into a wall sconce. The integrated telescoping arm accommodates any pendant up to 9" in diameter. Further enhancing this unique sconce tool is the integrated three step touch dimmer making it perfect for home or hospitality use. The Siena scales at 4.3" - 5.6" in width and 7.1" in length and is available in two on-trend finishes Antique Bronze and Satin Nickel. The integrated telescoping arm accommodates any pendant up to 9" in diameter. An integrated two-way touch dimmer makes it perfect for home or hospitality use. Currently only compatible with halogen and xenon pendants, the Ensu (p.358 of Full Line Catalog) can be used with LED pendants. Can mount to either a 4" square electrical box with round plaster ring or an octagonal electrical box (not included). Includes low-voltage electronic transformer.



WEIGHT

1.31lb / 0.59kg ±



antique bronze shown with reveal with manchon (not included) satin nickel shown included

ORDERING INFORMATION

700WSSNA FINISH

LAMP

Z ANTIQUE BRONZE
S SATIN NICKEL

120V IN / 12V OUT



TECH LIGHTING®

7400 Linder Avenue T 847.410.4400
Skokie, Illinois 60077 F 847.410.4500

Tech Lighting, L.L.C.

<p>700WSSNA _____</p> <p>FIXTURE TYPE: _____</p> <p>JOB NAME: _____</p> <p>NOTES: _____</p> <p>_____</p> <p>_____</p>
--



©2019 Tech Lighting, L.L.C. All Rights Reserved. The "Tech Lighting" graphic is a registered trademark of Tech Lighting, L.L.C. Tech Lighting reserves the right to change specifications for product improvements without notification.