

LOW - VOLTAGE HEADS

Scania Head

DESCRIPTION

Clean European-inspired head with a plated or matte painted finish. Head rotates 360°; pivots 180° to direct the beam. Includes Snap Louver Lens Holder. Can hold a single lens or louver (sold separately). Low-voltage, MR16 lamp of up to 50 watts (not included).

INSTALLATION

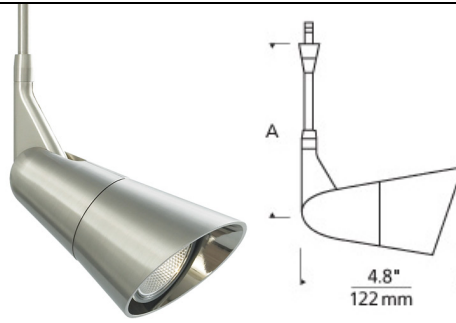
Socket terminates with FreeJack male connector, which may be installed into a system connector. Elements ordered with a system prefix include a connector for that system.

ACCESSORIES & OPTICAL CONTROLS

Dichroic Lens, Eggcrate Louver

WEIGHT

0.64lb / 0.29kg ±



metal



linen



metal

ORDERING INFORMATION

700	SYSTEM	SCAN	LENGTH (A)	COLOR	FINISH	LAMP
	FJ	FREEJACK	03 3"	L LINEN	S SATIN NICKEL	12 VOLT HALOGEN
	MP	MONOPOINT	06 6"	M METAL		
	MO	MONORAIL	12 12"			
	MO2	TWO-CIRCUIT MONORAIL				

Note: MP includes 4" Round Flush Canopy.



TECH LIGHTING®
 7400 Linder Avenue T 847.410.4400
 Skokie, Illinois 60077 F 847.410.4500
Tech Lighting, L.L.C.

700 ____ SCAN _____

FIXTURE TYPE: _____

JOB NAME: _____

NOTES: _____



©2017 Tech Lighting, L.L.C. All Rights Reserved. The "Tech Lighting" graphic is a registered trademark of Tech Lighting, L.L.C. Tech Lighting reserves the right to change specifications for product improvements without notification.