

LINE - VOLTAGE PENDANTS / SUSPENSION

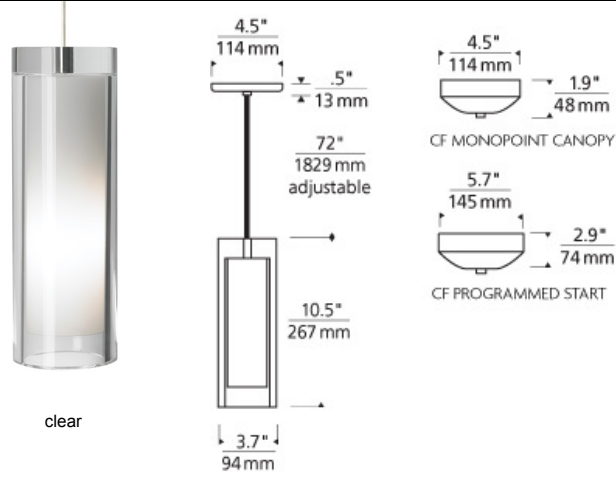
Sara Grande Pendant

DESCRIPTION

Pure indulgence, the Sara Grande is cut from a solid block of crystal and formed into an elegant cylinder which surrounds a hand-blown inner white glass diffuser. Instantly elevates any space. Incandescent includes 60 watt, medium base BT15 lamp. LED version includes 6.5 watt, 810 delivered lumen, 2700K, medium base LED BT15 lamp. Fixture is provided with six feet of field-cutable cable. Incandescent version dimmable with standard incandescent dimmer. LED version dimmable with LED compatible dimmer.

INSTALLATION

This product can mount to either a 4" square electrical box with round plaster ring or an octagon electrical box.



clear



clear

ORDERING INFORMATION

700 SYSTEM **SARGP**

COLOR FINISH LAMP

TD LINE-VOLTAGE PENDANTS/SUSPENSION

C CLEAR

Z ANTIQUE BRONZE
B BLACK
S SATIN NICKEL
W WHITE

INCANDESCENT 120V
-LED827 BT15 LED 80 CRI 2700K 120V



Tech Lighting, L.L.C.

700 ___ SARGP _____

FIXTURE TYPE: _____

JOB NAME: _____

NOTES: _____



©2017 Tech Lighting, L.L.C. All Rights Reserved. The "Tech Lighting" graphic is a registered trademark of Tech Lighting, L.L.C. Tech Lighting reserves the right to change specifications for product improvements without notification.