

Fabricated in concrete, the Sana collection by Tech Lighting adds an industrial texture to contemporary urban spaces. With an unembellished cylindrical design, the Sana wall sconce reflects the columnar features of open plan environments.

Outstanding protection against the elements:

- Marine-grade powder coat finishes
- Stainless Steel mounting hardware
- Impact-resistant, UV stabilized frosted acrylic lensing

SPECIFICATIONS

DELIVERED LUMENS	137
WATTS	7.5
VOLTAGE	Universal 120-277V, with integral transient 2.5kV surge protection (driver)
DIMMING	0-10, ELV, TRIAC
LIGHT DISTRIBUTION	Symmetric
MOUNTING OPTIONS	Wall
CCT	3000K
CRI	90+
COLOR BINNING	3 Step
BUG RATING	N/A
DARK SKY	Compliant
WET LISTED	IP65
GENERAL LISTING	ETL
CALIFORNIA TITLE 24	Can be used to comply with CEC 2016 Title 24 Part 6 for outdoor use. Registration with CEC Appliance Database not required.
START TEMP	-30°C
FIELD SERVICEABLE LED	No
CONSTRUCTION	Aluminum / Concrete
HARDWARE	Stainless Steel
FINISH	Marine Grade Powder Coat
LED LIFETIME	L70; 70,000 Hours
WARRANTY*	5 Years
WEIGHT	9 lbs.



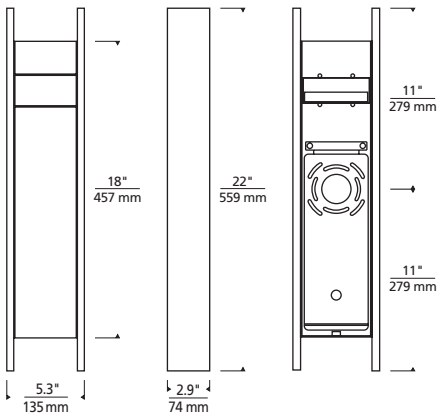
SANA 22 WALL
shown in black

* Visit techlighting.com for specific warranty limitations and details.

ORDERING INFORMATION

7000WSAN	CRI/CCT	LENGTH	FINISH	VOLTAGE	DISTRIBUTION
930	90 CRI, 3000K	22 22"	B BLACK	UNV 120V-277V	S SYMMETRIC

SANA 22 WALL SCONCE



Sana Sconce

PHOTOMETRICS*

*For latest photometrics, please visit www.techlighting.com/OUTDOOR

SANA WALL

Total Lumen Output:	137
Total Power:	7.5
Luminaire Efficacy:	18
Color Temp:	3000K
CRI:	90
BUG Rating:	N/A

PROJECT INFO

FIXTURE TYPE & QUANTITY

JOB NAME & INFO

NOTES



GENERATION BRANDS

7400 Linder Avenue, Skokie, Illinois 60077

T 847.410.4400 F 847.410.4500



© 2018 Tech Lighting, L.L.C. All rights reserved. The "Tech Lighting" graphic is a registered trademark of Tech Lighting, L.L.C. Tech Lighting reserves the right to change specifications for product improvements without notification.