

# LOW - VOLTAGE HEADS

## Roto Head

### DESCRIPTION

Simple geometries converge in this modern head that has been specifically designed to employ the SORAA® LED MR16 lamp and to celebrate its design characteristics. Also compatible with standard halogen MR16 lamps, 50 watt max. (Lamp Not Included). Accessory sold separately. Works with SORAA.

### INSTALLATION

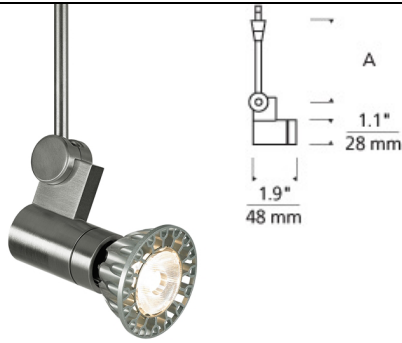
Socket terminates with FreeJack male connector, which may be installed into a system connector. Elements ordered with a system prefix include a connector for that system.

### ACCESSORIES & OPTICAL CONTROLS

Bell Shade, Belladonna Shade, Cone Glass Shield, Cone Onyx Shield, Prism Glass Shield, Round Glass Shield, Soda Glass Shade, Tinkerbell Shade

### WEIGHT

0.38lb / 0.17kg ±



with cone accessory



with soraa led lamp

### ORDERING INFORMATION

700 SYSTEM	ROT	LENGTH (A)	FINISH
FJ	FREEJACK	03 3"	S SATIN NICKEL
MP	MONOPOINT	06 6"	
MO	MONORAIL	12 12"	
MO2	TWO-CIRCUIT MONORAIL	18 18"	
WMO	WALL MONORAIL		

Note: MP includes 4" Round Flush Canopy.



7400 Linder Avenue T 847.410.4400  
Skokie, Illinois 60077 F 847.410.4500

Tech Lighting, L.L.C.

700 \_\_\_\_ ROT \_\_\_\_

FIXTURE TYPE: \_\_\_\_\_

JOB NAME: \_\_\_\_\_

NOTES: \_\_\_\_\_

\_\_\_\_\_

\_\_\_\_\_



©2017 Tech Lighting, L.L.C. All Rights Reserved. The "Tech Lighting" graphic is a registered trademark of Tech Lighting, L.L.C. Tech Lighting reserves the right to change specifications for product improvements without notification.