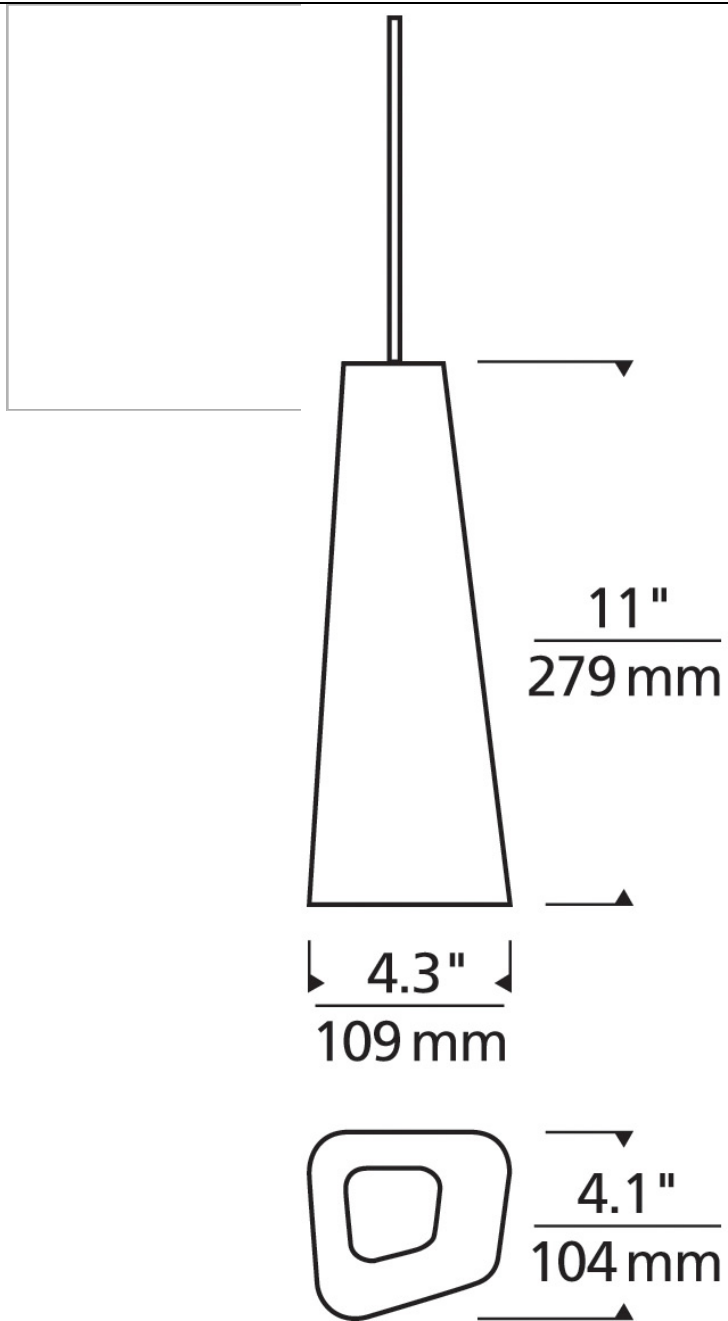


DESCRIPTION

ACCESSORIES & OPTICAL CONTROLS

SORAA® LED Bi-Pin Replacement Pendant Module, Swag Hook



ORDERING INFORMATION



TECH LIGHTING®

7400 Linder Avenue
Skokie, Illinois 60077

T 847.410.4400
F 847.410.4500

Tech Lighting, L.L.C.

FIXTURE TYPE:	_____
JOB NAME:	_____
NOTES:	_____

