

# LOW - VOLTAGE PENDANTS

## Revel Pendant

### DESCRIPTION

Captures light in motion. The sleek metal surface is laser-cut with several horizontal cutouts which allow light to shine through the inner white case glass diffuser. Includes low-voltage, 50 watt halogen bi-pin lamp or 8 watt replaceable 500 lumen 80 CRI 3000K LED SORAA® module and six feet of field-cutable suspension cable. Works with SORAA.

### INSTALLATION

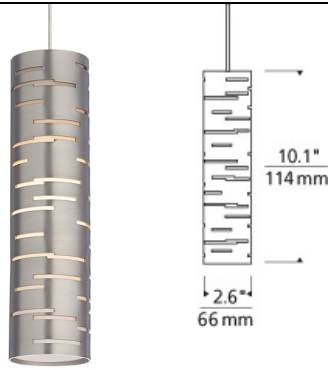
Socket terminates with FreeJack male connector, which may be installed into a system connector. Elements ordered with a system prefix include a connector for that system.

### ACCESSORIES & OPTICAL CONTROLS

SORAA® LED Bi-Pin Replacement Pendant Module, Swag Hook

### WEIGHT

2.39lb / 1.08kg ±



gloss black



antique bronze    gloss black    gloss white    satin nickel

### ORDERING INFORMATION

700	SYSTEM	RVL	COLOR	FINISH	LAMP
FJ	FREEJACK		Z ANTIQUE BRONZE	Z ANTIQUE BRONZE	12 VOLT HALOGEN
MP	MONOPOINT		B GLOSS BLACK	S SATIN NICKEL	-LEDS830 12 VOLT LED 80 CRI 3000K
MO	MONORAIL		W GLOSS WHITE		-24 24 VOLT HALOGEN
MO2	TWO-CIRCUIT MONORAIL		S SATIN NICKEL		

Note: MP includes 4" Round Flush Canopy and is available in 120v only (for 277v order as FJ).

When installing LED option on MO2 only magnetic transformers may be used.



**TECH LIGHTING®**  
 7400 Linder Avenue    T 847.410.4400  
 Skokie, Illinois 60077    F 847.410.4500

**Tech Lighting, L.L.C.**

700 \_\_\_\_ RVL \_\_\_\_

FIXTURE TYPE: \_\_\_\_\_

JOB NAME: \_\_\_\_\_

NOTES: \_\_\_\_\_

\_\_\_\_\_

\_\_\_\_\_