

LINE - VOLTAGE HEADS

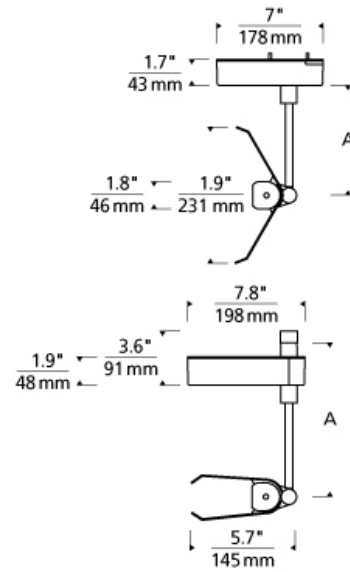
Render LED Head

DESCRIPTION

Render LED line-voltage wall wash head features a unique clamshell design for optimal vertical light distribution with adjustable horizontal cutoff control ranging from 2° to 120°. The smoothly diffused light is ideal for commercial applications such as accent, retail, or display where a well-defined wall wash effect is desired. The clamshell design is easily adjusted and available high or low output at 90 CRI with multiple CCT options.

OTHER

Net Lumens: Low Output, 1000 High Output, 1500 Wattage:
 Low Output, 15W High Output, 25W Adjustable Vertical
 Distribution: 2° - 120° Vertical Pivot: 160° Rotation: 360°



ORDERING INFORMATION

700	SYSTEM	RND	CRI	COLOR TEMP	LENGTH (A)	FINISH	LAMP
PJ	POWERJACK		9 90 CRI	30 3000K	6 6"	S SATIN NICKEL	H HIGH OUTPUT
TT	SINGLE-CIRCUIT T-TRAK			40 4000K	12 12"	W WHITE	L LOW OUTPUT



700 ____ RND _____

FIXTURE TYPE: _____

JOB NAME: _____

NOTES: _____
