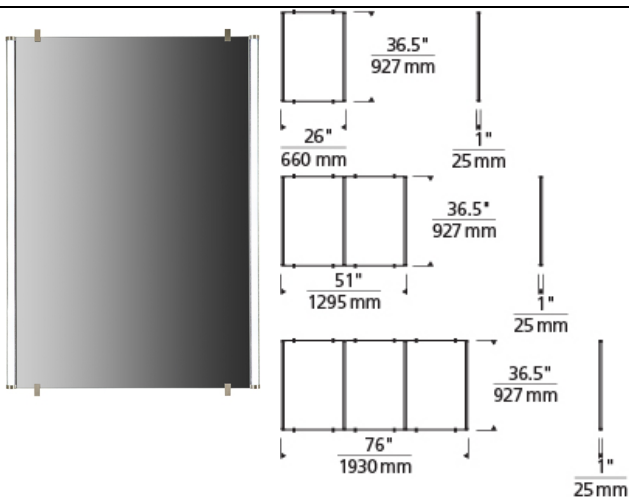


Rae Mirror Kit



DESCRIPTION

A special co-extruded remote phosphor LED channel hugs a high-quality mirror in 3 mirror configurations. The LED channel provides an amazingly slim profile less than 1 inch deep with flawless, even illumination and great color reproduction. Comes complete with 3.9watt/ft of LEDs to create 300lms/ft or 7.8 watt/ft of LEDs to create 600lms/ft available in 4 CCT options and 2 CRI options. Dimmable with low-voltage electronic dimmer.



rae mirror kit

ORDERING INFORMATION

700BCRAEMRR	SHAPE OR SIZE	FINISH	LAMP	VOLTAGE
3D	300 LMS/FT-DOUBLE MIRROR	C CHROME	-LED824 LED 80 CRI 2400K	120 VOLT
3S	300 LMS/FT-SINGLE MIRROR	S SATIN NICKEL	-LED835 LED 80 CRI 3500K	-277 277 VOLT
3T	300 LMS/FT-TRIPLE MIRROR		-LED840 LED 80 CRI 4000K	
6D	600 LMS/FT-DOUBLE MIRROR		-LED930 LED 90 CRI 3000K	
6S	600 LMS/FT-SINGLE MIRROR			
6T	600 LMS/FT-TRIPLE MIRROR			



TECH LIGHTING®

7400 Linder Avenue T 847.410.4400
 Skokie, Illinois 60077 F 847.410.4500

Tech Lighting, L.L.C.

700 BCRAEMRR _____

FIXTURE TYPE: _____

JOB NAME: _____

NOTES: _____

