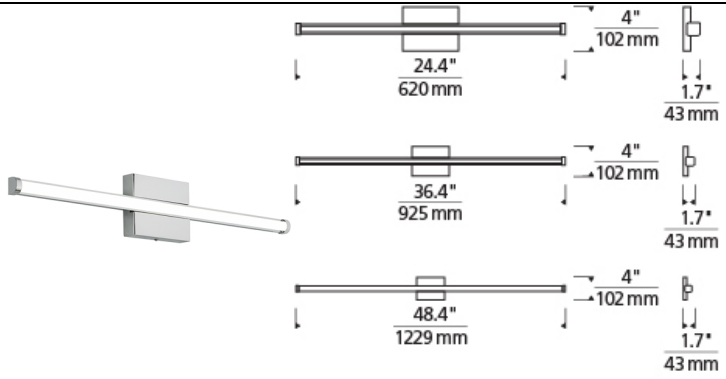


BATH COLLECTION

Rae Bath

DESCRIPTION

The ultimate in modern simplicity. A special co-extruded remote phosphor LED channel is set into the sleek backplate to provide an amazingly slim profile and flawless, even illumination. 2' version includes 7.8 watts, 600 net lumens or 15.6 watts, 1200 net lumens; 4' version includes 15.6 watts, 1200 net lumens or 31.2 watts, 2400 net lumens of LEDs available in 4 CCT options and 2 CRI options.



chrome satin nickel

ORDERING INFORMATION

700BCRAER	SHAPE OR SIZE	LENGTH (A)	FINISH	LAMP	VOLTAGE
3	300LMS/FT	24 24"	C CHROME	-LED824 LED 80 CRI 2400K	120 VOLT
6	600LMS/FT	36 36"	S SATIN NICKEL	-LED835 LED 80 CRI 3500K	-277 277 VOLT
		48 48"		-LED840 LED 80 CRI 4000K	
				-LED930 LED 90 CRI 3000K	



TECH LIGHTING®
 7400 Linder Avenue T 847.410.4400
 Skokie, Illinois 60077 F 847.410.4500

Tech Lighting, L.L.C.

700 BCRAER _____

FIXTURE TYPE: _____

JOB NAME: _____

NOTES: _____
