

LINE - VOLTAGE PENDANTS / SUSPENSION

Powell Street Pendant

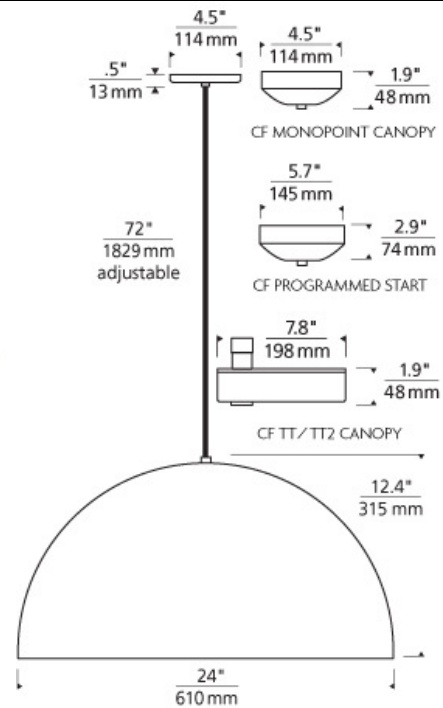


DESCRIPTION

The Powell Street pendant light by Tech Lighting is sleek and contemporary with its attractive glossy finish. This high-end luxurious pendant features a high gloss finish to its exterior and two modern matte interior finishes. Choose between four color combinations and three on-trend hardware finishes. The Powell Street ships with your choice of energy efficient LED lamping or standard incandescent. Both options are fully dimmable to create the desired ambiance in your special space. The Powell Street pendant is ideal for kitchen island task lighting, conference room lighting and countless commercial application spaces. Black, satin nickel, and white finish options include clear cable. Rated for (1) 150 watt max E26 medium base lamp (Lamp Not Included). 120 15 watt 900 delivered lumens, 3000k medium base LED G40 lamp surrounded by a blown white glass globe diffuser. Fixture is provided with six feet of field cuttable-cable. Incandescent version dimmable with standard incandescent dimmer.



satin nickel/sunrise orange



INSTALLATION

This product can mount to either a 4" square electrical box with round plaster ring or an octagon electrical box.

OTHER

TD includes 4.5" Round Canopy.
Black Finish Only Available on TD.
CF277 Lamp Only Available on TD.

ACCESSORIES & OPTICAL CONTROLS

Line-voltage Swag Hook

WEIGHT

5.5-6lb / 2.49-2.72kg ±



gloss black / white gloss white / white satin nickel / sunrise orange satin nickel / white

ORDERING INFORMATION

700 SYSTEM	PSP24	COLOR	FINISH	LAMP		
TD	LINE-VOLTAGE PENDANTS/SUSPENSION	BW	GLOSS BLACK/WHITE	B	BLACK	NO LAMP
TT	SINGLE-CIRCUIT T-TRAK	WW	GLOSS WHITE/WHITE	S	SATIN NICKEL	-LED830 G40 LED 80 CRI 3000K 120V
		SO	SATIN NICKEL/SUNRISE ORANGE	W	WHITE	
		SW	SATIN NICKEL/WHITE			



7400 Linder Avenue T 847.410.4400
Skokie, Illinois 60077 F 847.410.4500

Tech Lighting, L.L.C.

700 ___ PSP24 _____

FIXTURE TYPE: _____

JOB NAME: _____

NOTES: _____



©2018 Tech Lighting, L.L.C. All Rights Reserved. The "Tech Lighting" graphic is a registered trademark of Tech Lighting, L.L.C. Tech Lighting reserves the right to change specifications for product improvements without notification.