

LOW - VOLTAGE PENDANTS

Piper Pendant

DESCRIPTION

Sleek cylinder shaped metal shade provides crisp down light. Includes low-voltage, 50 watt MR16 flood lamp or 8 watt replaceable 500 lumen 80 CRI 3000K LED SORAA® module and six feet of field-cutttable suspension cable. Works with SORAA.

INSTALLATION

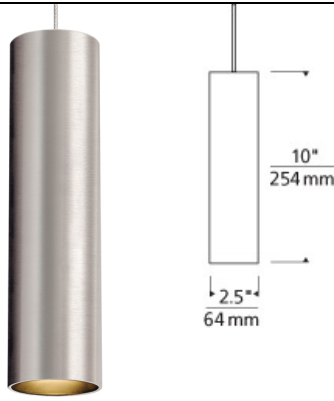
Socket terminates with FreeJack male connector, which may be installed into a system connector. Elements ordered with a system prefix include a connector for that system.

ACCESSORIES & OPTICAL CONTROLS

SORAA® LED Bi-Pin Replacement Pendant Module, Swag Hook

WEIGHT

2.5lb / 1.13kg ±



antique bronze



black



satin nickel



white

ORDERING INFORMATION

700 SYSTEM	PPR	FINISH	LAMP
FJ FREEJACK		ZZ ANTIQUE BRONZE/ANTIQU BRONZE	12 VOLT HALOGEN
MP MONOPOINT		BS BLACK/SATIN NICKEL	-LEDS830 12 VOLT LED 80 CRI 3000K
MO MONORAIL		SS SATIN NICKEL/SATIN NICKEL	-24 24 VOLT HALOGEN
MO2 TWO-CIRCUIT MONORAIL		WS WHITE/SATIN NICKEL	

Note: MP includes 4" Round Flush Canopy.



TECH LIGHTING®
 7400 Linder Avenue T 847.410.4400
 Skokie, Illinois 60077 F 847.410.4500

Tech Lighting, L.L.C.

700 ____ PPR ____

FIXTURE TYPE: _____

JOB NAME: _____

NOTES: _____
