

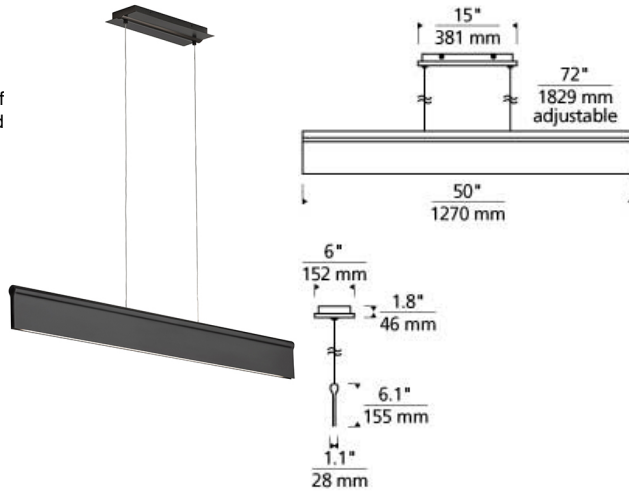
# Ortex Linear Suspension LED T20

## DESCRIPTION

Inspired by the increasingly thin profile of modern electronics, this futuristic yet grounded form features optimized LEDs shrouded within an extruded aluminum body to provide plenty of downward task light and a touch of indirect uplight. 50" long and available in 3 modern finishes, black, white and silver and integrated LEDs are dimmable with a low-voltage electronic dimmer. Includes 6' of field-cuttable cable. Includes (1) 39 watt 674 total delivered lumens (495 downlight and 179 uplight) 80 CRI 3000K LED strips. Dimmable with a low-voltage electronic dimmer. 120v or 277v.

## WEIGHT

11-11.5lb / 4.99-5.22kg ±



## ORDERING INFORMATION

700LSORX FINISH

LAMP

- B BLACK
- I SILVER

- LED LED 80 CRI 3000K 120V
- LED277 LED 80 CRI 3000K 277V



**TECH LIGHTING®**

7400 Linder Avenue T 847.410.4400  
Skokie, Illinois 60077 F 847.410.4500

Tech Lighting, L.L.C.

700LS ORX _____
FIXTURE TYPE: _____
JOB NAME: _____
NOTES: _____
_____
_____

