

LINE - VOLTAGE HEADS

Om Incandescent PAR Head T20

DESCRIPTION

Versatile die cast aluminum head, pivots vertically 180°, rotates horizontally 350°. Features vertical and horizontal locking mechanisms and decorative lens ring. 120 volt incandescent PAR16 lamp with GU10 base, up to 50 watts; 120 volt incandescent PAR20 lamp with E26 medium base, up to 50 watts; PAR30 Long or PAR30 Short lamp with E26 medium base, up to 75 watts (lamp not included). Holds up to two lenses or louvers, sold separately.

ACCESSORIES & OPTICAL CONTROLS

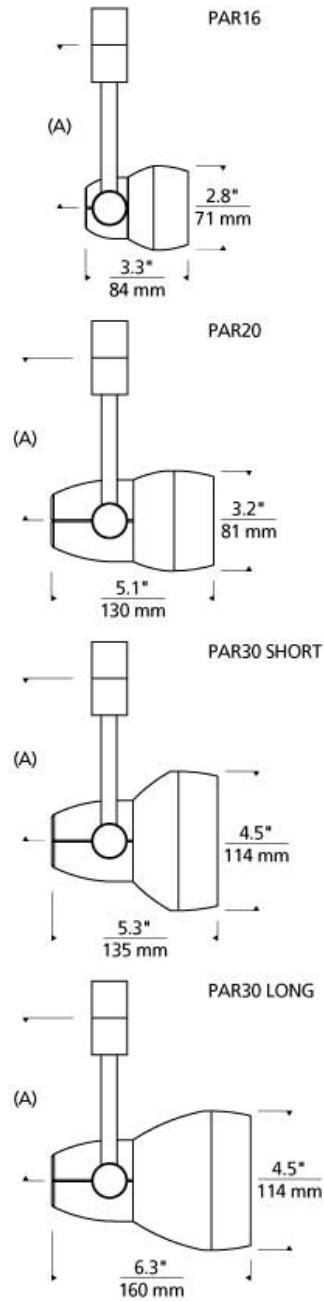
Dichroic Lens

WEIGHT

1-2.1lb / 0.45-0.95kg ±



solid metal



metal, satin nickel par16 metal, white par20 white, satin nickel par30 metal, white par30L frost, white par30s

ORDERING INFORMATION

700	SYSTEM	OM	SHAPE OR SIZE	LENGTH (A)	COLOR	FINISH
PJ	POWERJACK		16 PAR16	03 3"	S SOLID METAL	S SATIN NICKEL
TT	SINGLE-CIRCUIT T-TRAK		20 PAR20	06 6"		W WHITE
			30L PAR30 LONG	12 12"		
			30S PAR30 SHORT			

To order this head for use with Halo*, Juno*, or Lightolier* 120 volt single-circuit track, order as follows:

Substitute **700TT** with one of the following: **700TH** (fits Halo*), **700TJ** (fits Juno*) or **700TI** (fits Lightolier*) and by substituting the finish with one of the following: **BS** (Black/Satin Nickel), **BW** (Black/White), **WS** (White/Satin Nickel) or **WW** (White/White).

*Tech Lighting is not affiliated, nor is it endorsed by any of the companies listed nor does Tech Lighting distribute any of their products.



TECH LIGHTING®

7400 Linder Avenue
Skokie, Illinois 60077

T 847.410.4400
F 847.410.4500

Tech Lighting, L.L.C.

700 ____ OM ____

FIXTURE TYPE: _____

JOB NAME: _____

NOTES: _____



©2018 Tech Lighting, L.L.C. All Rights Reserved. The "Tech Lighting" graphic is a registered trademark of Tech Lighting, L.L.C. Tech Lighting reserves the right to change specifications for product improvements without notification.