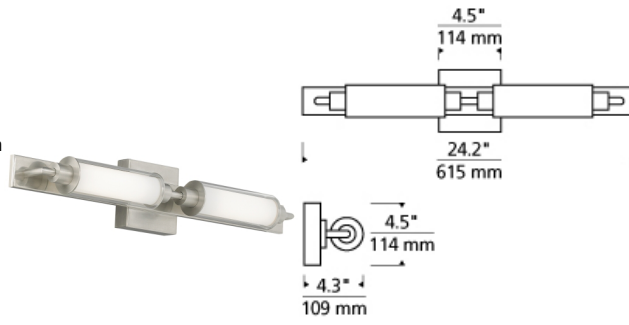


BATH COLLECTION

Morrison Bath LED T20

DESCRIPTION

The Morrison bath bar by Tech Lighting is a retro-inspired contemporary light fixture that features dual tubes of light that are suspended by an industrial metal bracket. This uniquely designed fixture is available in both glass and acrylic versions and comes in three on-trend finishes. Scaling at 4.5" in length and 4.3" in width the Morrison is ideal for bathroom lighting and vanity lighting. Your choice of energy efficient LED lamping ships with the Morrison saving you both time and money, all lamping options are fully dimmable to create the desired ambiance in your special space. Includes 12 watt, 750 net lumen, 3000K LED modules. Dimmable with low-voltage electronic dimmer. May be mounted horizontally or vertically.



clear glass

INSTALLATION

This product can mount to either a 4" square electrical box with round plaster ring or an octagonal electrical box. May be mounted horizontally or vertically. For wall mount use only.

WEIGHT

3.5-4lb / 1.59-1.81kg ±



bronze

chrome

satın nickel

ORDERING INFORMATION

700BCMOR COLOR	FINISH	LAMP
Y CLEAR ACRYLIC	Z ANTIQUE BRONZE	-LED830 LED 80 CRI 3000K 120V
C CLEAR GLASS	C CHROME	-LED830-277 LED 80 CRI 3000K 277V
	S SATIN NICKEL	



TECH LIGHTING®
 7400 Linder Avenue T 847.410.4400
 Skokie, Illinois 60077 F 847.410.4500
Tech Lighting, L.L.C.

700BCMOR _____

FIXTURE TYPE: _____

JOB NAME: _____

NOTES: _____



©2018 Tech Lighting, L.L.C. All Rights Reserved. The "Tech Lighting" graphic is a registered trademark of Tech Lighting, L.L.C. Tech Lighting reserves the right to change specifications for product improvements without notification.