

PASS-THROUGH TRANSFORMER 250W



5 YEAR WARRANTY

The industry's slimmest 250 watt surface transformer allows MonoRail to be suspended just 1" from the ceiling plane for a beautiful minimalist look. This versatile surface transformer is compatible with both LED and Halogen lamped 12v low-voltage pendants & heads and features die-cast aluminum construction with premium electronic components. Installation is simple with just three steps: 1) mount & wire 2) tighten the rail connector 3) snap the upper and lower canopies together.

Mounts to a standard 4" ceiling junction box with round plaster ring (provided by electrician). Only compatible with 1" rigid standoffs. Visit www.techlighting.com or consult the Tech Lighting Systems Ordering Guide for details on MonoRail and accessories. Now protected by an industry-leading 5-year warranty.

Product Features:

- Ultra-slim housing for a truly minimalist look
- Allows MonoRail to be installed just 1" from ceiling
- Fully dimmable using low-voltage electronic dimmer
- Compatible with both Halogen and LED fixtures
- Powers up to a 60' run of MonoRail when fed from center
- Easily installs directly to ceiling junction box
- Available in Satin Nickel or Antique Bronze finish
- 5-year warranty

SPECIFICATIONS

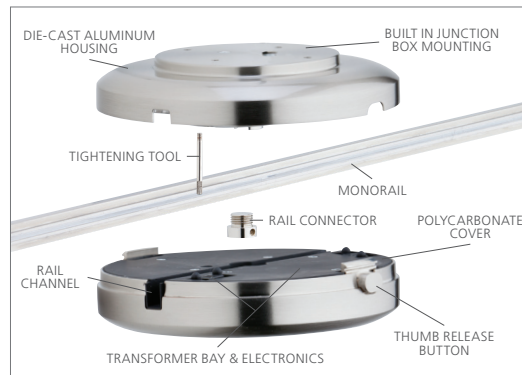
HOUSING DIAMETER	7.5"
HOUSING DEPTH	2.4"
INPUT VOLTAGE	120V
OUTPUT VOLTAGE	12V
MAX WATTAGE	250W**
MAX RUN LENGTH	30' in each direction
TRANSFORMER TYPE	Electronic AC
COMPATIBLE DIMMERS	Low-voltage Electronic (600w)
MINIMUM STANDOFF	1"
WARRANTY*	5 Years



*Visit techlighting.com for specific warranty limitation and details.
 **As a general rule when using LED fixtures, we do not recommend using greater than 70% of specified maximum wattage on the transformer due to inrush current unless noted otherwise.

ORDERING INFORMATION

700MOPST250E	FINISH	OPTIONS
Z	ANTIQUE BRONZE	-LED LED OR HALOGEN COMPATIBLE
S	SATIN NICKEL	



PROJECT INFO

FIXTURE TYPE & QUANTITY	JOB NAME & INFO	NOTES



GENERATION BRANDS
 7400 Linder Avenue, Skokie, Illinois 60077
www.techlighting.com