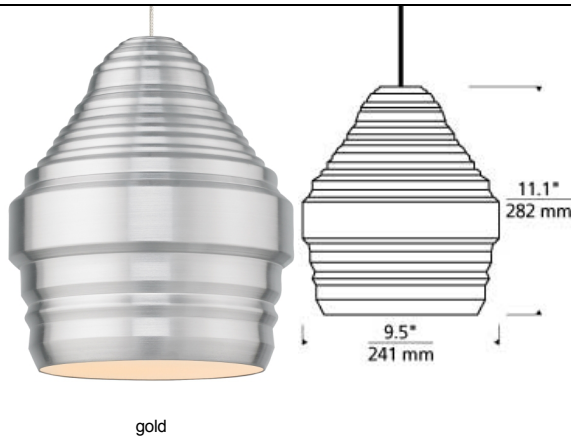


LOW - VOLTAGE PENDANTS

Mini Ryker Pendant LED SORAA T20

DESCRIPTION

The Mini Ryker pendant light by Tech Lighting is elegantly simple yet multifaceted. The complex scale and silhouette combine to give you a fresh take on a large, warehouse-inspired design. The spun metal shade's crisp inflections are softened by a matte rubberized finish to complete the modern industrial aesthetic. This large pendant scales at 11.1" in length and 9.5" in diameter making it ideal for bathroom lighting, dining room lighting and kitchen island lighting. Available lamping options include a fully-dimmable energy efficient LED or no-lamp, leaving you the option to light this fixture with your preferred lamping. Rated for (1) low-voltage, 50 watt (Lamp Not Included). LED includes 12 volt 8 watt, 310 gross lumens, 3000K, replacable SORRA LED MR16 lamp. Dimmable with low-voltage electronic or magnetic dimmer (based on the transformer). Ships with six feet of field-cuttable cable. Works with SORAA.

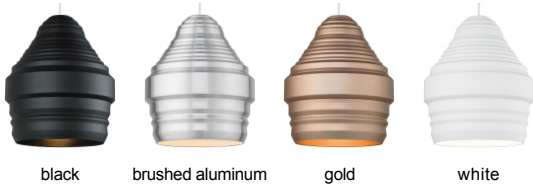


INSTALLATION

Socket terminates with FreeJack male connector, which may be installed into a system connector. Elements ordered with a system prefix include a connector for that system.

ACCESSORIES & OPTICAL CONTROLS

Swag Hook



black brushed aluminum gold white

ORDERING INFORMATION

700	SYSTEM	RYK	COLOR	FINISH	LAMP
FJ	FREEJACK		B BLACK	S SATIN NICKEL	NO LAMP
KL	KABLE LITE		A BRUSHED ALUMINUM		-LED930 12 VOLT LED 90 CRI 3000K
MP	MONOPOINT		G GOLD		
MO	MONORAIL		W WHITE		
MO2	TWO-CIRCUIT MONORAIL				

Note. MP includes 4" Round Flush Canopy.

TECH LIGHTING®
 7400 Linder Avenue T 847.410.4400
 Skokie, Illinois 60077 F 847.410.4500
Tech Lighting, L.L.C.

700 ____ RYK _____

FIXTURE TYPE: _____

JOB NAME: _____

NOTES: _____
