

LOW - VOLTAGE HEADS

Mini Om Head T20

DESCRIPTION

The Mini Om display head by Tech Lighting is simple in design but extremely functional and highly-customizable featuring modern contemporary customization possibilities. The Mini Om provides light where you need it the most with its 360° rotating head and 260° pivot. The integrated LED lamping is neatly concealed within the head of the lamp and can be glare free when paired with any Tech Lighting glare-reducing lens shield (sold separately). This highly customizable display head features two on-trend hardware finishes and four distinct stem lengths. Enhance your space all the more by combining the Mini Om display head with a Tech Lighting free-jack or rail system. This low-voltage display head is ideal for commercial lighting applications such as retail stores, libraries and galleries. Low-voltage, MR16 lamp of up to 50 watts (not included). Accessory required; sold separately.

INSTALLATION

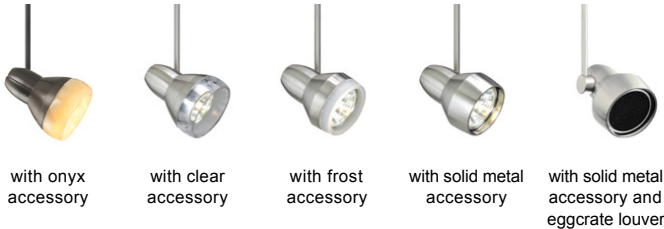
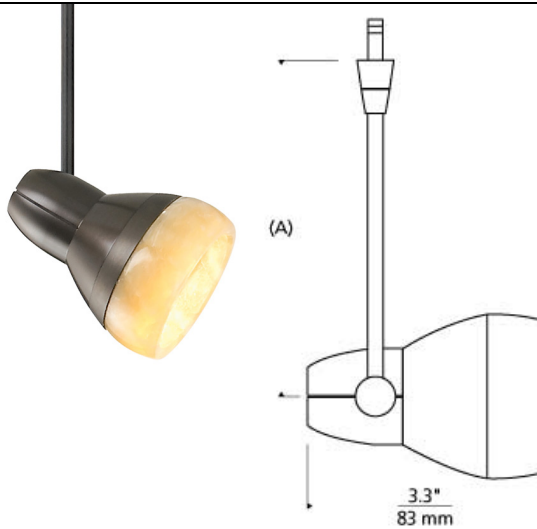
Socket terminates with FreeJack male connector, which may be installed into a system connector. Elements ordered with a system prefix include a connector for that system.

ACCESSORIES & OPTICAL CONTROLS

Mini Om Accessory

WEIGHT

0.31-2.28lb / 0.14-1.03kg ±



with onyx accessory with clear accessory with frost accessory with solid metal accessory with solid metal accessory and eggcrate louver

ORDERING INFORMATION

700 SYSTEM	OM	LENGTH (A)	FINISH
FJ	FREEJACK	03 3"	Z ANTIQUE BRONZE
MP	MONOPOINT	06 6"	S SATIN NICKEL
MO	MONORAIL	12 12"	
MO2	TWO-CIRCUIT MONORAIL	18 18"	
WMO	WALL MONORAIL		

Note: MP includes 4" Round Flush Canopy.



700 ____ OM ____

FIXTURE TYPE: _____

JOB NAME: _____

NOTES: _____
