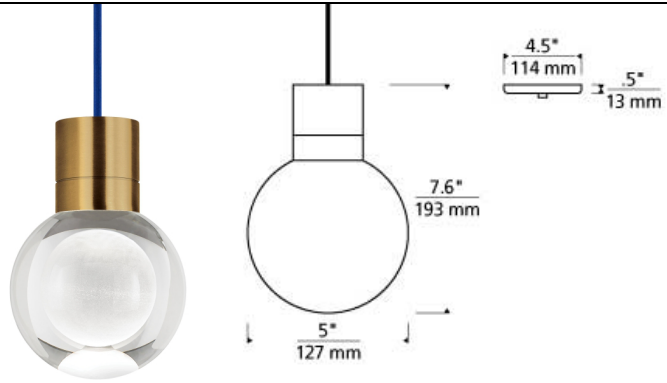


LINE - VOLTAGE PENDANTS

Mina Pendant LED

DESCRIPTION

The Mina pendant light from Tech Lighting features an elegant sphere of pure optic crystal. This beautiful floating orb is laser-etched and further illuminated by a powerful downward-firing LED hidden within the socket. Although smaller in diameter, the Mina brilliantly provides a bounty of task light onto surfaces below. Highly customizable, the Mina pendant features 8 cord colors and three on-trend finish options. The Mina ships with your choice of fully dimmable LED lamping. In addition to the wide range of customizable options, the Mina pendant also comes with two complementary accessory options. Swag Hooks and the Locus accessory. Due to its contemporary yet raw style, the Mina can be used in a range of consumer and commercial lighting applications. Includes 9 watt, 135 delivered lumen, 3000K, 2200K or 3000K-2200K warm-color dimming LED module. Fixture provided with twelve feet of field-cuttable cloth cord. Dimmable with low-voltage electronic or triac dimmer.



INSTALLATION

This product can mount to either a 4" square electrical box with round plaster ring or an octagon electrical box.

WEIGHT

19.5-21lb / 8.85-9.53kg ±



ORDERING INFORMATION

700	SYSTEM	MINAP	SHAPE OR SIZE	COLOR	Cord Color	FINISH	LAMP
TD	LINE-VOLTAGE		11	11-LITE	C CLEAR	B BLACK	- LED 90 CRI 2200K 120V (T24)
	PENDANTS/SUSPENSION			CHANDELIER	I BLACK/WHITE	R AGED BRASS	LED922
			1	1-LITE	U BLUE	B BLACK	- LED 90 CRI 3000K 120V (T24)
			3	3-LITE	P COPPER	S SATIN	LED930
				CHANDELIER	Y GRAY	NICKEL	- LED 90 CRI WARM COLOR DIMMING 3000K - 2200K
			7	7-LITE	O ORANGE		LEDWD120V (T24)
				CHANDELIER	R RED		
					W WHITE		



TECH LIGHTING®

7400 Linder Avenue T 847.410.4400
Skokie, Illinois 60077 F 847.410.4500

Tech Lighting, L.L.C.

700 ____ MINAP _____

FIXTURE TYPE: _____

JOB NAME: _____

NOTES: _____
