

# BATH COLLECTION

## Metro Bath

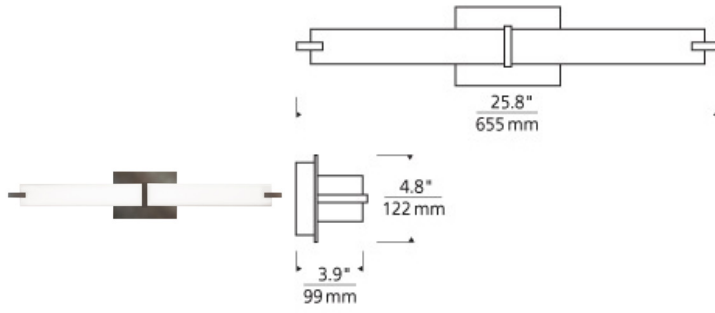


### DESCRIPTION

Rectilinear shaped light bar with multi-layered white glass or white acrylic. Plated pressure formed frame. Provides task and ambient light. Incandescent includes 40 watt, halogen mini-candelabra base lamps. LED includes 25 watt, 1460 delivered lumen, 2700K or 3000K LED module. Incandescent version dimmable with standard incandescent dimmer. LED version dimmable with low-voltage electronic or triac dimmer. ADA compliant. May be mounted vertically or horizontally.

### INSTALLATION

This product can mount to either a 4" square electrical box with round plaster ring or an octagonal electrical box. For wall mount use only. 12.5" of clearance is needed on one side of the fixture to remove glass when relamping.



frost



acrylic lens

frost

### ORDERING INFORMATION

700BCMET COLOR	FINISH	LAMP
Y WHITE ACRYLIC	Z ANTIQUE BRONZE	INCANDESCENT 120V
WHITE GLASS	C CHROME	-LED277 LED 3000K 277V
	S SATIN NICKEL	-LED927 LED 90 CRI 2700K 120V
		-LED927-277 LED 90 CRI 2700K 277V
		-LED930 LED 90 CRI 3000K 120V
		-LED930-277 LED 90 CRI 3000K 277V

Acrylic not available with incandescent lamp.



**TECH LIGHTING®**  
 7400 Linder Avenue T 847.410.4400  
 Skokie, Illinois 60077 F 847.410.4500

**Tech Lighting, L.L.C.**

700BCMET \_\_\_\_\_

FIXTURE TYPE: \_\_\_\_\_

JOB NAME: \_\_\_\_\_

NOTES: \_\_\_\_\_

\_\_\_\_\_

\_\_\_\_\_



©2017 Tech Lighting, L.L.C. All Rights Reserved. The "Tech Lighting" graphic is a registered trademark of Tech Lighting, L.L.C. Tech Lighting reserves the right to change specifications for product improvements without notification.