

WALL COLLECTION

Matan Wall LED ADA T20

DESCRIPTION

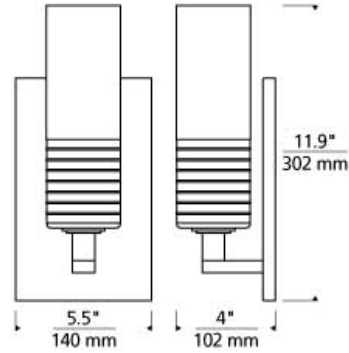
The Matan LED wall sconce light from Tech Lighting features a slim artisan molded glass shade treated with a special mirror like coating to create two stunning visual effects. First, when illuminated the partially opaque shade provides a shielded glimpse of the retro-inspired, fully dimmable LED lamping within. Second, when unilluminated the shade's subtle opacity disappears as its outer surface resembles chrome-plated metal. For added dimension, the upper section of each shade includes a series of organically flowing rings created by a delicate etching process. Whether used alone or in conjunction with coordinating Matan pendant lights or Matan ceiling lights, this versatile contemporary wall sconce light is a great choice for kitchen accent lighting, dining room accent lighting, or living room accent lighting. Rated for (1) 45w max, E12 candelabra based lamp (Not Included). LED includes (1) 2 watt, 155 delivered lumen, 2700K, E12 base LED vintage tubular lamp. Dimmable with LED compatible dimmer.

INSTALLATION

This product can mount to either a 4" square electrical box with round plaster ring or an octagonal electrical box (not included).

WEIGHT

3-3.5lb / 1.36-1.59kg ±



metallic chrome

ORDERING INFORMATION

700WSMTN COLOR	FINISH	LAMP
MC METALLIC CHROME	S SATIN NICKEL	NO LAMP -LED927 LED 90 CRI 2700K 120V (T20/T24)



700WS MTN _____

FIXTURE TYPE: _____

JOB NAME: _____

NOTES: _____
