

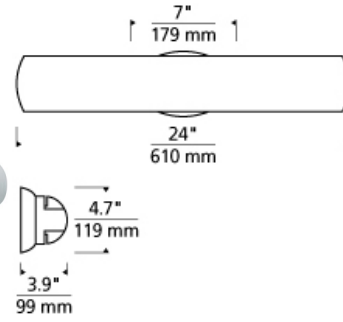
BATH COLLECTION

Luna Bath

FL ADA T20

DESCRIPTION

Floating crescent of multi-layered white case glass. Plated pressure formed base. Provides task and ambient light. May be mounted vertically or horizontally. Available in two lamp configurations: two 14 watt T5 linear fluorescent lamps (lamps and electronic ballast included); or four 120 volt, 60 watt mini-candelabra base lamps (included). Incandescent version dimmable with standard incandescent dimmer. ADA compliant.



INSTALLATION

This product can mount to either a 4" square electrical box with round plaster ring or an octagonal electrical box. May also be mounted vertically. For wall mount use only.

WEIGHT

8-8.5lb / 3.63-3.86kg ±



luna bath

ORDERING INFORMATION

700BCLUN24 FINISH

LAMP

C CHROME
S SATIN NICKEL

FLUORESCENT 120V
-CF277 FLUORESCENT 277V
-HL INCANDESCENT 120V



TECH LIGHTING®

7400 Linder Avenue T 847.410.4400
Skokie, Illinois 60077 F 847.410.4500

Tech Lighting, L.L.C.

700BCLUN24 _____

FIXTURE TYPE: _____

JOB NAME: _____

NOTES: _____



©2018 Tech Lighting, L.L.C. All Rights Reserved. The "Tech Lighting" graphic is a registered trademark of Tech Lighting, L.L.C. Tech Lighting reserves the right to change specifications for product improvements without notification.