

LINE-VOLTAGE PENDANTS/SUSPENSION

Liza Grande Pendant

DESCRIPTION

Classically modern. Clear, flame-worked borosilicate glass, commercially known as Pyrex[®], is formed into a large, dramatic cylinder with a flowing diagonal pattern of open glass which creates visual depth against an inner white glass diffuser. Black, satin nickel, and white finish options highlighted with satin detail and clear cable; antique bronze finish highlighted with antique bronze detail and brown cable. Includes 120 volt, 60 watt BT15 lamp or 26 watt GX24Q-3 base triple tube compact fluorescent lamp (electronic ballast included). May also be lamped with GX24Q-3 base 32 watt triple tube compact fluorescent lamp (not included). Includes 6.5 volt, 810 delivered lumen. Fixture is provided with six feet of field-cutable cable. Incandescent version dimmable with standard incandescent dimmer.

INSTALLATION

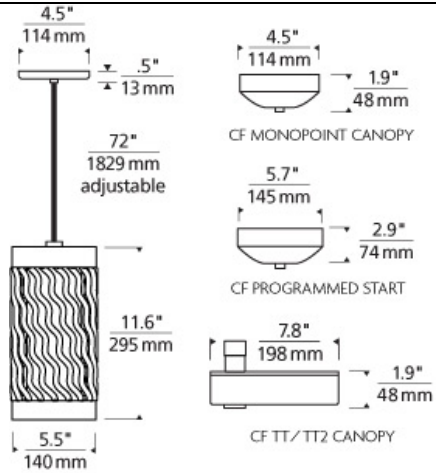
This product can mount to either a 4" square electrical box with round plaster ring or an octagon electrical box.

OTHER

TD includes 4.5" Round Canopy.
Antique Bronze and Black Finish Only Available on TD.
CF277 Lamp Only Available on TD.



clear



clear

ORDERING INFORMATION

700 SYSTEM	LIZGP	COLOR	FINISH	LAMP
TD	LINE-VOLTAGE PENDANTS/SUSPENSION	C CLEAR	Z ANTIQUE BRONZE	INCANDESCENT 120V
TT	SINGLE-CIRCUIT T-TRAK	K SMOKE	B BLACK	-LED827 LED BT15 80 CRI 2700K 120V
TT2	TWO-CIRCUIT T-TRAK		S SATIN NICKEL	
			W WHITE	



TECH LIGHTING[®]

7400 Linder Avenue T 847.410.4400
Skokie, Illinois 60077 F 847.410.4500

Tech Lighting, L.L.C.

700 ____ LIZGP _____

FIXTURE TYPE: _____

JOB NAME: _____

NOTES: _____



©2017 Tech Lighting, L.L.C. All Rights Reserved. The "Tech Lighting" graphic is a registered trademark of Tech Lighting, L.L.C. Tech Lighting reserves the right to change specifications for product improvements without notification.