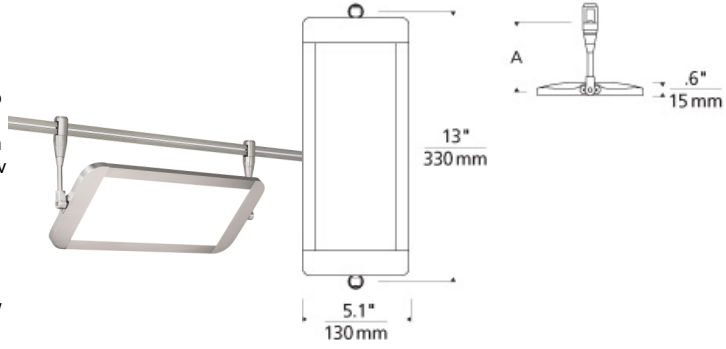


# LOW - VOLTAGE HEADS

## Lev Head

### DESCRIPTION

The unique Lev spot head light from Tech Lighting integrates the latest LED light guide technology with the versatility of Monorail. Each panel head pivots 360° and can be mounted up or down, making it ideal for direct and indirect general illumination, wall wash and display applications. When used in conjunction with other low-voltage heads and pendants, the Lev offers incredible flexibility to layer light throughout a space. Includes 12 watt, 753 delivered lumen, 3000K LED module. Mounts to Monorail only. Dimmable with low-voltage electronic or magnetic dimmer (based on the transformer). As a general rule when using the Lev head, we do not recommend using greater than 33% of the maximum wattage specified for the low voltage transformer due to inrush current requirements. For assistance in calculations, please contact Technical Support.



### WEIGHT

1.23lb / 0.56kg ±



lev

### ORDERING INFORMATION

700	SYSTEM	LEV	LENGTH (A)	FINISH	LAMP
MO	MONORAIL		03 3.3"	S SATIN NICKEL	-LED830 LED 80 CRI 3000K 12V
MO2	TWO-CIRCUIT MONORAIL		06 6.3"		
WMO	WALL MONORAIL		12 12.3"		



**TECH LIGHTING®**

7400 Linder Avenue T 847.410.4400  
Skokie, Illinois 60077 F 847.410.4500

Tech Lighting, L.L.C.

700 \_\_\_\_ LEV \_\_\_\_

FIXTURE TYPE: \_\_\_\_\_

JOB NAME: \_\_\_\_\_

NOTES: \_\_\_\_\_

\_\_\_\_\_

\_\_\_\_\_

