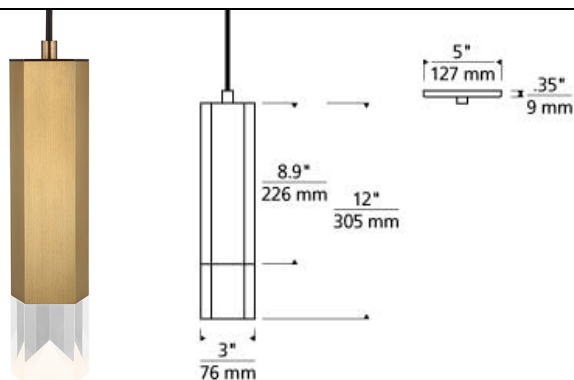


Krypton Pendant LED T20

DESCRIPTION

Bold lines and sharp angles define the Krypton wall sconce by Tech Lighting. This crystalline based pendant beautifully illuminates spaces with its Optic concave cut Crystal. Scaling at 3â€ in length and 2.85â€ in width the Krypton wall sconce is a super addition to hallways, foyers and bedrooms flanking two end tables and more. This otherworldly pendant is available in two on-trend finish options, Aged Brass, and Satin Nickel, either finish further enhances this distinctive pendant. Integrated lamping options include warm dimming from 3000k-2200k. Fully dimmable with an electronic dimmer to create the desired ambiance in your special space. Includes 10' of field-cutttable cable. LED includes (1) 9 watt 395 delivered lumens Warm Color Dimming 90 CRI 3000K-2200K LED module. Dimmable with a low-voltage electronic dimmer. 120v.



WEIGHT

2-2.5lb / 0.91-1.13kg ±



aged brass



satin nickel



aged brass



satin nickel

ORDERING INFORMATION

700 SYSTEM **KRY**

FINISH

LAMP

TD LINE-VOLTAGE PENDANTS/SUSPENSION

R AGED BRASS
S SATIN NICKEL

-LEDWD LED 90 CRI 3000K-2200K 120V
-LEDWD LED 90 CRI 3000K-2200K 120V (T24)



TECH LIGHTING®

7400 Linder Avenue T 847.410.4400
Skokie, Illinois 60077 F 847.410.4500

Tech Lighting, L.L.C.

700 ____ KRY ____

FIXTURE TYPE: _____

JOB NAME: _____

NOTES: _____



©2019 Tech Lighting, L.L.C. All Rights Reserved. The "Tech Lighting" graphic is a registered trademark of Tech Lighting, L.L.C. Tech Lighting reserves the right to change specifications for product improvements without notification.