

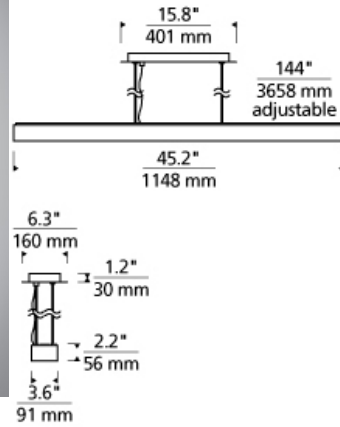
# LINEAR SUSPENSION

## Knox Linear Suspension



### DESCRIPTION

Strong lines coupled with industrial simplicity create the handsome linear fixture known as Knox, by Tech Lighting. This LED suspension fixture performs as it must with such a simple yet striking design. Due to its simple construction the Knox allows the LED lamping to take center stage with ample task lighting distribution. Ideal lighting spaces for the Knox suspension include dining room lighting, home office lighting and professional conference room lighting. Your choice of LED lamping ships with the Knox saving you both time and money, all LED lamping options are fully dimmable to create the desired ambiance in any space. At 40 watts of LED strips, it will provide incredible illumination in virtually any environment (1952 lumens, 3000K). Ships with 21 feet of field-cutttable cord and twelve feet of aircraft cable. Dimmable with low-voltage electronic dimmer.



### INSTALLATION

This product can mount to either a 4" square electrical box with round plaster ring or an octagonal electrical box (not included).

### WEIGHT

18-18.5lb / 8.16-8.39kg ±



knox linear suspension



black

gunmetal

satin nickel

### ORDERING INFORMATION

700LSKNOX FINISH

LAMP

**B** BLACK  
**M** GUNMETAL  
**S** SATIN NICKEL

**-LED** LED 80 CRI 3000V 120V  
**-LED277** LED 80 CRI 3000V 277V



**TECH LIGHTING®**

7400 Linder Avenue  
 Skokie, Illinois 60077

T 847.410.4400  
 F 847.410.4500

Tech Lighting, L.L.C.

700LSKNOX \_\_\_\_\_

FIXTURE TYPE: \_\_\_\_\_

JOB NAME: \_\_\_\_\_

NOTES: \_\_\_\_\_

\_\_\_\_\_

\_\_\_\_\_



©2018 Tech Lighting, L.L.C. All Rights Reserved. The "Tech Lighting" graphic is a registered trademark of Tech Lighting, L.L.C. Tech Lighting reserves the right to change specifications for product improvements without notification.