

LINE - VOLTAGE PENDANTS / SUSPENSION

Karam Pendant



DESCRIPTION

The oversized scale and alluring texture of the Karam pendant by Tech Lighting is an artisanal work of class. Texture and scale join forces to define this entirely ceramic made pendant. The outer walls of each over-sized shade are textured and painted by hand to create the rough and inherently unique appearance of the Karam. Available in two modern colors of Concrete and Black, the with neutral color tones to further detail the raw ceramic design. Due to its unexpected scale, the Karam pendant is ideal for dining room lighting, kitchen island task lighting, and family room lighting applications. Rated for (1) 150 watt max. E26 medium base lamp (Not Included). 120 volt 19 watt, A21 LED lamp. Dimmable with an LED compatible dimmer. Consult lamp manufacturer for more information. Small provided with six field-cutable cloth cord to match finish selection. Large provided with twelve field-cutable cloth cord to match finish selection.

INSTALLATION

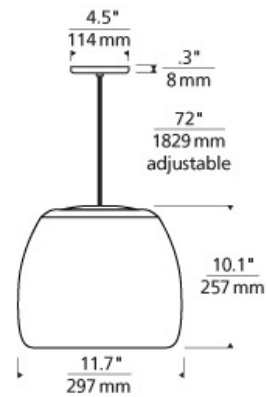
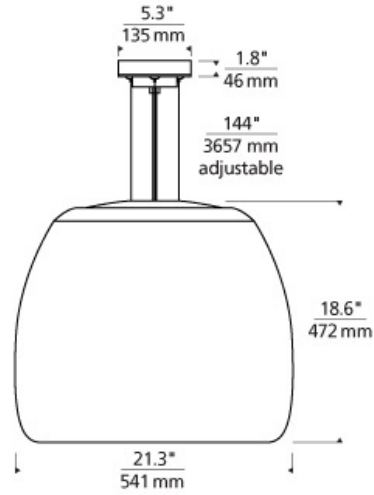
This product can mount to either a 4" square electrical box with round plaster ring or an octagonal electrical box (not included).

WEIGHT

12.00lb / 5.44kg ±



black/black



ORDERING INFORMATION

700 SYSTEM	KRMP	SHAPE OR SIZE	COLOR	LAMP
TD	LINE-VOLTAGE PENDANTS/SUSPENSION	L LARGE S SMALL	BB BLACK/BLACK CW CONCRETE/WHITE	INCANDESCENT 120V -LED927 A21 LED 90 CRI 2700K 120V



700 ____ KRMP _____

FIXTURE TYPE: _____

JOB NAME: _____

NOTES: _____
