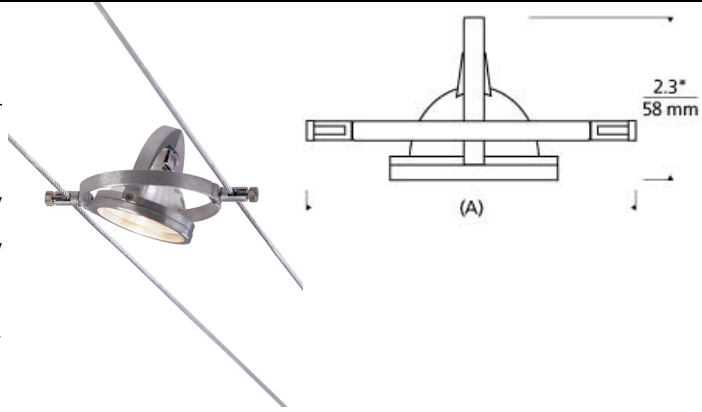


LOW - VOLTAGE HEADS

K-Hello Head T20

DESCRIPTION

The K-Hello display head by Tech Lighting combines design simplicity with practical technology. The K-Hello is highly adjustable as it tilts between the Kable Lite system allowing for a 140° head rotation within its ring. Customize the K-Hello by selecting from 1 of 3 distinct cable spreads, each defined spread helps to further direct light to the desired location. This low-voltage display head is ideal for home office lighting, family room lighting and living room lighting. K-Hello ships with Eggcrate Louvers saving you both time and money. Additionally K-Hello is compatible with a Glass Lens MR16 Snoot (both sold separately). All lamping is fully dimmable to create the desired ambiance in your special space. Integral louver lens holder can hold glass lens (sold separately) or eggcrate louver (included). Satin aluminum finish. Specify low-voltage, MR16 lamp of up to 50 watts or AR111 lamp of up to 75 watts (not included). For Kable Lite system only.



OTHER

Cable Separation	Lamp Type
3.5"	MR16
5.5"	MR16
6.6"	AR111

ACCESSORIES & OPTICAL CONTROLS

Eggcrate Louver

WEIGHT

0.3lb / 0.14kg ±



k-hello head

ORDERING INFORMATION

700KHELLO CABLE SEPARATION

FINISH

3	3.5"
5	5.5"
6	6.6"

SATIN ALUMINUM



TECH LIGHTING®

7400 Linder Avenue
Skokie, Illinois 60077

T 847.410.4400
F 847.410.4500

Tech Lighting, L.L.C.

700KHELLO ____

FIXTURE TYPE: _____

JOB NAME: _____

NOTES: _____



©2018 Tech Lighting, L.L.C. All Rights Reserved. The "Tech Lighting" graphic is a registered trademark of Tech Lighting, L.L.C. Tech Lighting reserves the right to change specifications for product improvements without notification.