

BATH COLLECTION

Jaxon Bath



DESCRIPTION

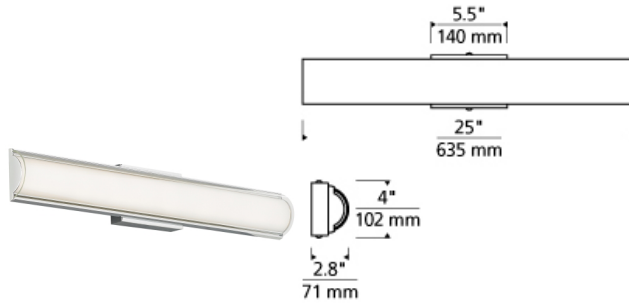
Slumped transparent glass over an inner glass diffuser provides a modern, sophisticated look that is both simple and elegant in the Jaxon bath light fixture from Tech Lighting. Includes 24 watt, 1050 net lumen, 3000K LED module. Dimmable with low-voltage electronic dimmer.

INSTALLATION

This product can mount to either a 4" square electrical box with round plaster ring or an octagonal electrical box. May be mounted horizontally or vertically. For wall mount use only.

WEIGHT

4-4.5lb / 1.81-2.04kg ±



clear



chrome

satin nickel

ORDERING INFORMATION

700BCJXN25 COLOR	FINISH	LAMP
C CLEAR	C CHROME S SATIN NICKEL	-LED830 LED 80 CRI 3000K 120V -LED830-277 LED 80 CRI 3000K 277V



Tech Lighting, L.L.C.

700BCJXN25 _____

FIXTURE TYPE: _____

JOB NAME: _____

NOTES: _____



©2018 Tech Lighting, L.L.C. All Rights Reserved. The "Tech Lighting" graphic is a registered trademark of Tech Lighting, L.L.C. Tech Lighting reserves the right to change specifications for product improvements without notification.