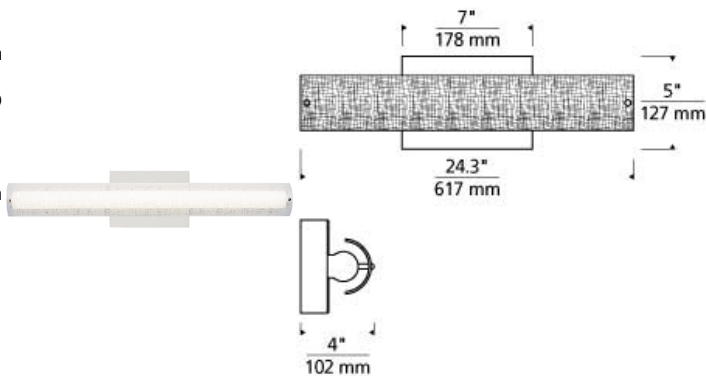


Jarvas 24 Bath

LED ADA T20

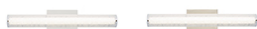
DESCRIPTION

The hand-blown glass shades of the Jarvas 24 linear bathroom vanity lights by Tech Lighting are silk screened to create a linen weave texture through which the energy efficient, integrated LED light source softly glows. The artisan glass treatment with its inner, frosted acrylic lens plus cleverly hidden hardware are subtle design elements that give these bath lights a clean, contemporary profile a tailored look. Choose from a Clear Linen glass with either a Polished Chrome finish or a Satin Nickel finish. The Jarvas 24's dimensions are 5" high, 24.3" long with an extension of 4", while the Jarvas 36 is 5" high, 36.3" long, also with a 4" extension, making them both ADA compliant. Damp-rated and dimmable. LED includes 23.3 watt 1396 delivered lumens 90 CRI 2700K or 3000K LED module. Dimmable with a low-voltage electronic dimmer. Mounts vertically or horizontally. ADA compliant. 120v or 277v.



WEIGHT

3-3.5lb / 1.36-1.59kg ±



polished chrome satin nickel

ORDERING INFORMATION

700BCJVS	LENGTH (A)	FINISH	LAMP
	24 24"	C CHROME S SATIN NICKEL	-LED927 LED 90 CRI 2700K 120V -LED927-277 LED 90 CRI 2700K 277V -LED930 LED 90 CRI 3000K 120V -LED930-277 LED 90 CRI 3000K 277V



TECH LIGHTING®
 7400 Linder Avenue T 847.410.4400
 Skokie, Illinois 60077 F 847.410.4500

Tech Lighting, L.L.C.

700BC JVS _____

FIXTURE TYPE: _____

JOB NAME: _____

NOTES: _____
