

LINE - VOLTAGE PENDANTS / SUSPENSION

Isella Pendant



DESCRIPTION

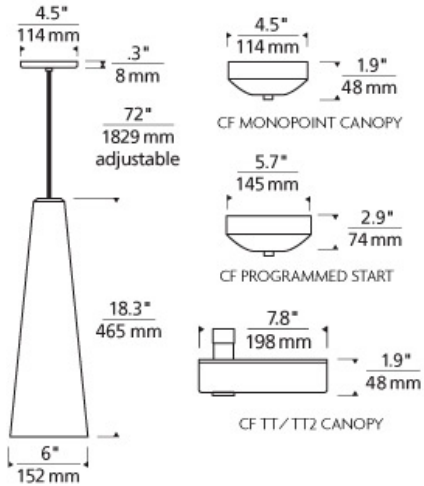
The Isella pendant light by Tech Lighting is a remarkable blend of scale and elegance. The hand blown outer glass shade features smooth, undulating ripples reminiscent of a gently disturbed pool of water giving the Isella a touch of dramatic flair. An inner glass diffuser provides visual contrast and mirrors the tall conical shape of the Isella. Scaling at 18.3â€ in length and 6â€ in diameter, the Isella pendant light is a great choice for kitchen island task lighting, dining room lighting, or living room lighting. The Isella pendant light ships with your choice of either standard incandescent or efficient LED lamping, both options are fully dimmable to create your desired ambiance. Incandescent includes 53 watt medium base A19 lamp. LED includes 9.5 watt, 800 delivered lumen, 2700K, LED A19 lamp. Fixture provided with six feet of field-cuttable cable. Incandescent version dimmable with standard incandescent dimmer. LED version dimmable with LED compatible dimmer.

WEIGHT

7.94lb / 3.6kg ±



smoke



clear



smoke



surf green

ORDERING INFORMATION

700 SYSTEM	ISLP	COLOR	FINISH	LAMP
TD	LINE-VOLTAGE PENDANTS/SUSPENSION	C CLEAR	Z ANTIQUE BRONZE	INCANDESCENT 120V
TT	SINGLE-CIRCUIT T-TRAK	K SMOKE	B BLACK	-LED927 A19 LED 90 CRI 2700K 120V
		G SURF GREEN	S SATIN NICKEL	
			W WHITE	

TD includes 4.5" Round Canopy.
 Antique Bronze and Black Finish Only Available on TD.
 CF277 and PSUNV Lamp Only Available on TD.



TECH LIGHTING®

7400 Linder Avenue T 847.410.4400
 Skokie, Illinois 60077 F 847.410.4500

Tech Lighting, L.L.C.

700 ____ ISLP _____

FIXTURE TYPE: _____

JOB NAME: _____

NOTES: _____



©2017 Tech Lighting, L.L.C. All Rights Reserved. The "Tech Lighting" graphic is a registered trademark of Tech Lighting, L.L.C.
 Tech Lighting reserves the right to change specifications for product improvements without notification.