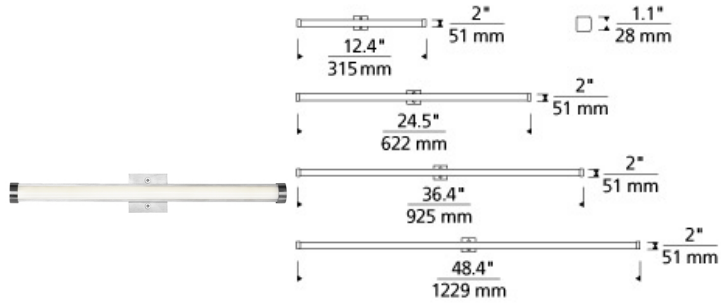


Gia Vanity Kit



DESCRIPTION

A sleek plate of glass floats in front of a special co-extruded remote phosphor LED channel is designed to adapt to virtually any mirror to create a truly custom lit vanity. The LED Channel provides an amazingly slim profile with flawless, even illumination and great color reproduction. Comes complete with 3.9watt/ft of LEDs to create 300lms/ft or 7.8 watt/ft of LEDs to create 600lms/ft available in 4 CCT options and 2 CRI options. Each unit ships complete with a 2" square/3" deep J-Box and requires a remote mounted transformer (sold separately). Transformer size based on total number of Vanity Kits powered on the transformer. Dimmable with low-voltage electronic dimmer.



clear



clear

ORDERING INFORMATION

700BCGIAVKR	SHAPE OR SIZE	LENGTH (A)	COLOR	FINISH	LAMP
302	300 LMS/FT-2" CANOPY	12 12"	C CLEAR	C CHROME	-LED824 LED 80 CRI 2400K
602	600 LMS/FT-2" CANOPY	24 24"	K SMOKE	S SATIN NICKEL	-LED835 LED 80 CRI 3500K
		36 36"			-LED840 LED 80 CRI 4000K
		48 48"			-LED930 LED 90 CRI 3000K

Order Remote Power Supply Separately Item Number: 700AT060EL or 700AT152EL.



TECH LIGHTING®

7400 Linder Avenue T 847.410.4400
 Skokie, Illinois 60077 F 847.410.4500

Tech Lighting, L.L.C.

700 BCGIAVKR _____

FIXTURE TYPE: _____

JOB NAME: _____

NOTES: _____

