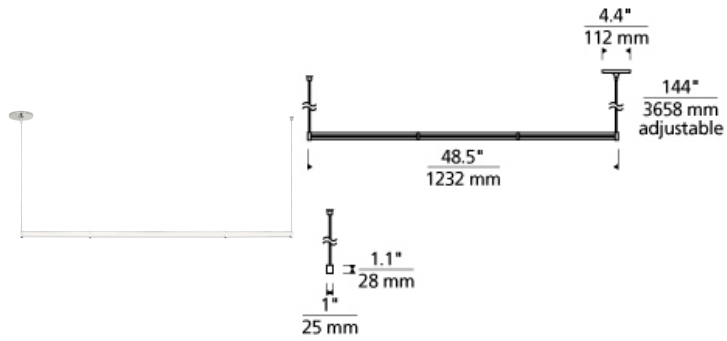


LINEAR SUSPENSION

Gia Linear Suspension LED T20

DESCRIPTION

An elegant combination of simple design and superior light output radiates from the Gia linear suspension piece by Tech Lighting. A sleek plate of glass floats in front of a special co-extruded remote phosphor LED channel, providing a flawless even wash of light perfect for task oriented spaces. Scaling at 48.5" in length the Gia is ideal for areas like conference rooms, reception areas and kitchen islands. This elegant suspension piece is available for customization in two on-trend hardware finishes and two contemporary shade colors. Your choice of LED lamping ships with the Gia saving you both time and money. A sleek plate of glass floats in front of a special co-extruded remote phosphor LED channel, providing a flawless even wash of light perfect for task-oriented spaces like conference rooms and reception areas. 16 watts, 1040 net lumens or 32 watts, 2080 net lumens available in 2 CCT options and 2 CRI options. Ships with 12 feet of field-cuttale cable. Dimmable with low-voltage electronic dimmer.



INSTALLATION

This product can mount to either a 4" square electrical box with round plaster ring or an octagonal electrical box (not included).

WEIGHT

3-4lb / 1.36-1.81kg ±



clear

smoke

ORDERING INFORMATION

700	SYSTEM	GIAR	SHAPE OR SIZE	LENGTH (A)	COLOR	FINISH	LAMP	VOLTAGE
LS	LINEAR SUSPENSION	3	300LMS/FT	48 48"	C CLEAR	S SATIN NICKEL	-LED824 LED 80 CRI 2400K	120 VOLT
MO	MONORAIL	6	600LMS/FT		K SMOKE		-LED835 LED 80 CRI 3500K	-277 277 VOLT
							-LED840 LED 80 CRI 4000K	
							-LED930 LED 90 CRI 3000K	

If suspending on MonoRail, it does not require a voltage designation.



TECH LIGHTING®
 7400 Linder Avenue T 847.410.4400
 Skokie, Illinois 60077 F 847.410.4500

Tech Lighting, L.L.C.

700 ____ GIAR _____

FIXTURE TYPE: _____

JOB NAME: _____

NOTES: _____
