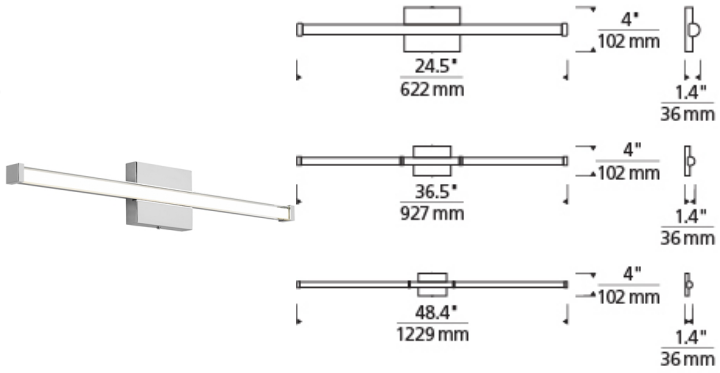


BATH COLLECTION



DESCRIPTION

A perfect balance of simplicity and sophistication. A sleek plate of glass floats in front of a special co-extruded remote phosphor LED channel to provide flawless, even illumination. 2' version includes 8 watts, 570 net lumens or 16 watts, 1040 net lumens; 4' version includes 16 watts, 1040 net lumens or 32 watts, 2080 net lumens of LEDs available in 4 CCT options and 2 CRI options.



clear



clear chrome smoke satin nickel

ORDERING INFORMATION

700BCGIAR	SHAPE OR SIZE	LENGTH (A)	COLOR	FINISH	LAMP	VOLTAGE
3	300LMS/FT	24 24"	C CLEAR	C CHROME	-LED824 LED 80 CRI 2400K	120 VOLT
6	600LMS/FT	48 48"	K SMOKE	S SATIN NICKEL	-LED835 LED 80 CRI 3500K -LED840 LED 80 CRI 4000K -LED930 LED 90 CRI 3000K	-277 277 VOLT



TECH LIGHTING®
 7400 Linder Avenue T 847.410.4400
 Skokie, Illinois 60077 F 847.410.4500
Tech Lighting, L.L.C.

700 BCGIAR _____

FIXTURE TYPE: _____

JOB NAME: _____

NOTES: _____



©2017 Tech Lighting, L.L.C. All Rights Reserved. The "Tech Lighting" graphic is a registered trademark of Tech Lighting, L.L.C. Tech Lighting reserves the right to change specifications for product improvements without notification.