



RECESSED FRAME KITS

# GATICA

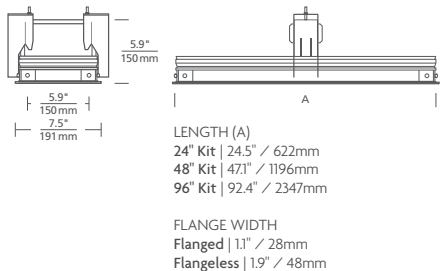
GENERAL AND TASK ILLUMINATION, CONTROLS, ADJUSTABILITY

## RECESSED FRAME KITS

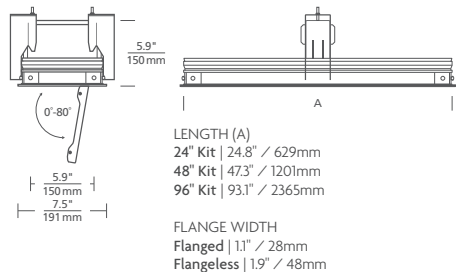
TO INSTALL GATICA RECESSED PANELS AND SPOTS INTO A CEILING, SPECIALLY DESIGNED RECESSED FRAME KITS ALLOW FOR EASE OF INSTALLATION AND A BEAUTIFUL LOOK BELOW THE CEILING. TWO STYLES (FLANGED AND FLANGELESS) ARE AVAILABLE TO COMPLEMENT VARYING DESIGN AESTHETICS. NOT REQUIRED FOR LAY-IN.



### 6" WIDE STATIC RECESSED FRAME KITS



### 6" WIDE TILTABLE RECESSED FRAME KITS



If using tiltable panels anywhere in your system, please use tiltable recessed frame kits for all panels, spots and accessories within that system.

### 6" Wide Module Compatibility Listing:

#### 24" Recessed Frame Kit

- 2ft Panel
- 1x1 Spot\*
- 1x2 Spot\*
- 1x3 Spot\*
- Occupancy Sensor\*
- Daylight Sensor\*
- Emergency Backup\*
- 1x1, Occ, Day, EM Blank\*
- 1x2 Blank\*
- 1x3 Blank\*

#### 48" Recessed Frame Kit

- 4ft Panel
- Any combination of 6" wide modules not exceeding 45" in combined length\*

#### 96" Recessed Frame Kit

- 8ft Panel
- Any combination of 6" wide modules not exceeding 90" in combined length\*

## ORDERING GUIDE

GRK	SIZE	TILT	LENGTH	CEILING APPEARANCE	FINISH
06	6" WIDE	S STATIC	24 24"	RF RECESSED FLANGED	S SILVER
12	12" WIDE	T TILTABLE	48 48"	RL RECESSED FLANGELESS	W WHITE
12D	12" WIDE DUAL		96 96"		XXX CUSTOM RAL

\*REQUIRES FIELD CUTTING FOR PROPER FIT.

For additional information and support including sample room layouts, bill of materials configuration, inquiries on custom capabilities, IES/REVIT files, product images and application environments, please visit [www.techlighting.com/GATICA](http://www.techlighting.com/GATICA).

FIXTURE TYPE \_\_\_\_\_

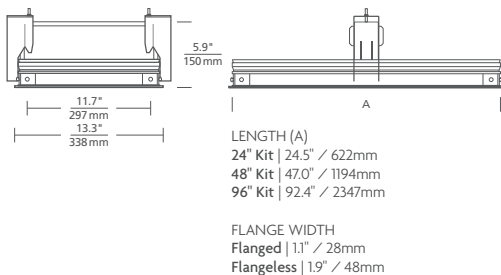
FIXTURE QUANTITY \_\_\_\_\_

JOB NAME \_\_\_\_\_

NOTES \_\_\_\_\_

## RECESSED FRAME KITS

### 12" WIDE SINGLE STATIC RECESSED FRAME KITS

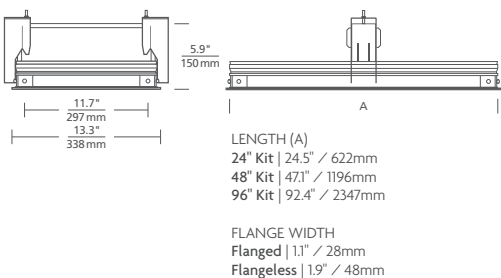


If using tiltable panels anywhere in your system, please use tiltable recessed frame kits for all panels, spots and accessories within that system.

#### 12" Wide Single Module Compatibility Listing:

- |                               |   |
|-------------------------------|---|
| <b>24" Recessed Frame Kit</b> | <b>48" Recessed Frame Kit</b>   |
| 2ft Panel                     | 4ft Panel   |
| 2x1 Spot*                     | Any combination of 12" wide modules not exceeding 45" in combined length. |
| 2x2 Spot*                     |   |
| Occupancy Sensor*             |   |
| Daylight Sensor*              | <b>96" Recessed Frame Kit</b>   |
| Emergency Backup*             | 8ft Panel   |
| 2x1, Occ, Day, EM Blank*      | Any combination of 12" wide modules not exceeding 90" in combined length. |
| 2x2 Blank*                    |   |

### 12" WIDE DUAL STATIC RECESSED FRAME KITS

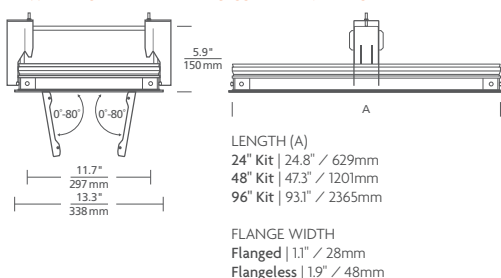


If using tiltable panels anywhere in your system, please use tiltable recessed frame kits for all panels, spots and accessories within that system.

#### 12" Wide Dual Module Compatibility Listing:

- |                               |   |
|-------------------------------|---|
| <b>24" Recessed Frame Kit</b> | <b>48" Recessed Frame Kit</b>   |
| 2ft Panel                     | 4ft Panel   |
| 2x1 Spot*                     | Any combination of 12" wide modules not exceeding 45" in combined length. |
| 2x2 Spot*                     |   |
| 2x3 Spot*                     |   |
| Occupancy Sensor*             |   |
| Daylight Sensor*              | <b>96" Recessed Frame Kit</b>   |
| Emergency Backup*             | 8ft Panel   |
| 2x1, Occ, Day, EM Blank*      | Any combination of 12" wide modules not exceeding 90" in combined length. |
| 2x2 Blank*                    |   |
| 2x3 Blank*                    |   |

### 12" WIDE DUAL TILTABLE RECESSED FRAME KITS



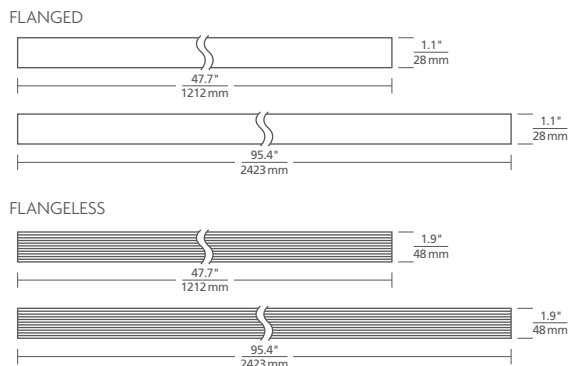
## ORDERING GUIDE

GRK	SIZE	TILT	LENGTH	CEILING APPEARANCE	FINISH
06	6" WIDE	S STATIC	24 24"	RF RECESSED FLANGED	S SILVER
12	12" WIDE	T TILTABLE	48 48"	RL RECESSED FLANGELESS	W WHITE
12D	12" WIDE DUAL		96 96"		XXX CUSTOM RAL

## RECESSED FRAME KITS - SIDE RAILS

WHEN INSTALLING LONGER RUNS OF RECESSED GATICA MODULES, SIDE RAILS ARE USED TO SUPPORT THE SYSTEM BETWEEN ENDPOINTS WHERE STANDARD RECESSED FRAME KITS ARE USED TO TERMINATE A RUN. AVAILABLE FOR BOTH 6" AND 12" WIDE SYSTEMS. ALL ARE FIELD-CUTTABLE AND SHIP IN PAIRS.

### 6" WIDE, 12" WIDE SINGLE, 12" WIDE DUAL



## ORDERING GUIDE

GRS	SIZE	LENGTH	CEILING APPEARANCE	FINISH
06	6" WIDE	48 48"	RF RECESSED FLANGED	S SILVER
12	12" WIDE	96 96"	RL RECESSED FLANGELESS	W WHITE
12D	12" WIDE DUAL			XXX CUSTOM RAL

\*REQUIRES FIELD CUTTING FOR PROPER FIT.

Certain products shown in this catalog have patent protection or patents pending. Tech Lighting reserves the right to discontinue or to change the technical or design specifications of its products at any time without notice. Copyright 2015 Tech Lighting. Tech Lighting and GATICA are registered trademarks of Tech Lighting. All rights reserved. A Generation Brands Company.