



GATICA

GENERAL AND TASK ILLUMINATION, CONTROLS, ADJUSTABILITY

BLANKS

TO ALLOW DESIGN COHESION WITHIN A SPACE CONTAINING PARALLEL GATICA SYSTEM RUNS, BLANK PANELS CAN BE INCORPORATED WHERE NEEDED TO EQUALIZE THE TOTAL LENGTH OF EACH RUN. BENEFICIAL WHEN UTILIZING GATICA SYSTEM ACCESSORIES SUCH AS OCCUPANCY AND DAYLIGHT SENSING MODULES AND EMERGENCY BACKUP MODULES; AS WELL AS WHEN ABSENCE OF LIGHT (FROM PANELS OR SPOTS) IS DESIRED ON PARALLEL SYSTEM RUNS. EACH BLANK PANEL INCLUDES 1 ADDITIONAL SUSPENSION MOUNT AND ALL NECESSARY MOUNTING HARDWARE.

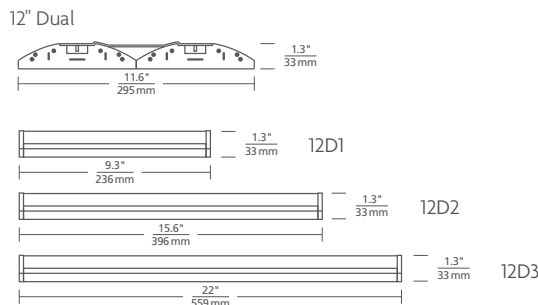
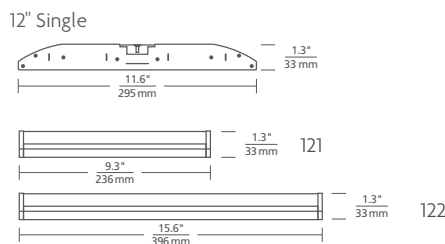
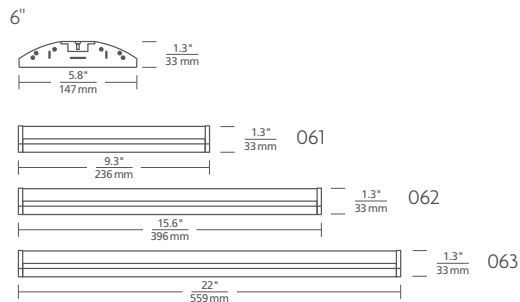


For additional information and support including sample room layouts, bill of materials configuration, inquiries on custom capabilities, IES/REVIT files, product images and application environments, please visit www.techlighting.com/GATICA.



Tech Lighting reserves the right to discontinue or to change the technical or design specifications of its products at any time without notice. Copyright 2015 Tech Lighting. Tech Lighting and GATICA are registered trademarks of Tech Lighting. All rights reserved. A Generation Brands Company.

BLANKS



ORDERING GRID

GBL	SIZE	MOUNTING	FINISH
061	6" WIDE OCC, DAYLIGHT, EM, 1 X 1	SR04 48" RIGID STEM	S SILVER
062	6" WIDE 1 X 2	SR08 96" RIGID STEM	W WHITE
063	6" WIDE 1 X 3	SA04 48" ADJUSTABLE CABLE	XXX CUSTOM RAL
121	12" WIDE OCC, DAYLIGHT, EM, 2 X 1	SA12 144" ADJUSTABLE CABLE	
122	12" WIDE 2 X 2	R RECESSED	
12D1	12" WIDE DUAL OCC, DAYLIGHT, EM, 2 X 1	LI LAY IN (T-GRID)	
12D2	12" WIDE DUAL 2 X 2		
12D3	12" WIDE DUAL 2 X 3		

FIXTURE TYPE _____
 FIXTURE QUANTITY _____
 JOB NAME _____
 NOTES _____

