

LINE - VOLTAGE HEADS

Fokis LED Head

DESCRIPTION

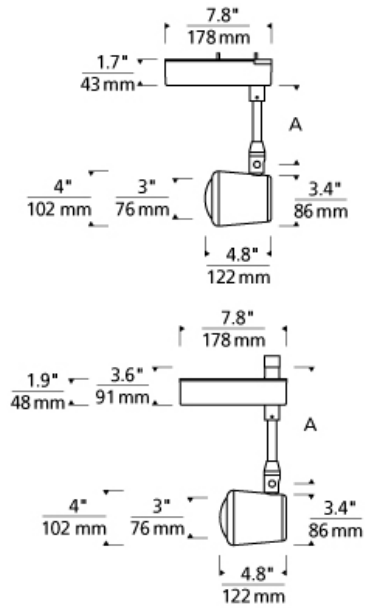
Adjustable optic Fokis LED line-voltage head offers impressive field flexibility without restriction of factory-set optics. A tool-less, simple one-handed turn of the Fokis outer ring continuously adjusts beam spread from 20° to 50°. Additionally, a locking mechanism with indicator markings ensures ease and precision adjustment of multiple fixtures allowing interchangeability and consistency of fixtures throughout an environment. Custom lengths available up to 13ft.

OTHER

Net Lumens: 1500 Wattage: 30W Beam Spread: Adjustable 20° to 50° Vertical Pivot: 90° Rotation: 360°

WEIGHT

6-6lb / 2.72-2.72kg ±



satin nickel



white

ORDERING INFORMATION

700	SYSTEM	FKS	CRI	COLOR TEMP	BEAM SPREAD	LENGTH (A)	FINISH
PJ	POWERJACK		9 90 CRI	30 3000K	A 20-50°	6 6"	S SATIN NICKEL
TT	SINGLE-CIRCUIT T-TRAK			35 3500K		12 12"	W WHITE

To order this head for use with Halo*, Juno*, or Lightolier* 120 volt single-circuit track, order as follows:

Substitute **700TT** with one of the following: **700TH** (fits Halo*), **700TJ** (fits Juno*) or **700TI** (fits Lightolier*) and by substituting the finish with one of the following: **BS** (Black/Satin Nickel), **BW** (Black/White), **WS** (White/Satin Nickel) or **WW** (White/White).

*Tech Lighting is not affiliated, nor is it endorsed by any of the companies listed nor does Tech Lighting distribute any of their products.



700 ____ FKS _____

FIXTURE TYPE: _____

JOB NAME: _____

NOTES: _____



©2017 Tech Lighting, L.L.C. All Rights Reserved. The "Tech Lighting" graphic is a registered trademark of Tech Lighting, L.L.C. Tech Lighting reserves the right to change specifications for product improvements without notification.